



P902



HB350



HP80D



AHP703D



P350A



FHB600



AP13



AP3000S



AP921



EP420DS

## Summary of Pumps

Series	Description	Type	Pressure Rating (Bar)	Oil Cap. (c.c.)	Page
P90X	Heavy Duty Hand Pumps	2 stages	700 - 1000	450 - 2500	19
AHP / UHP	Aluminum Hand Pumps	2 stages	700 - 2800	500 - 2000	20
HA - HF	Steel Hand Pumps	1 or 2 stages	200 - 700	350 - 2500	21
PA / PB	Heavy Duty Hand Pumps	1 or 2 stages	200 - 700	350 - 700	22
Pump BG	Hand Pump Packages	2 stages	200 - 2800	350 - 2500	23
HP	Big Reservoir & Heavy Duty Hand Pumps	2 stages	700	3500 - 8000	24 - 25
P350/550/1000	Special Hand Pumps	2 stages	700	350 - 1000	26 - 28
PH	Special Pump Heads	1 stage	52 - 827	-	29
FHA / FHB	Foot Pumps	1 or 2 stages	700	350 - 700	30
AP	Air Pumps	Air / Hydraulic	700	750 - 8000	31 - 36
EP	Electric Pumps	Brushless	700	3000 - 100L	37 - 42

# HEAVY-DUTY HAND PUMPS



P901

P902

## MODEL: P90 SERIES

Dual speed models  
Max. working pressure:  
700 - 1000 bar



P903



P904



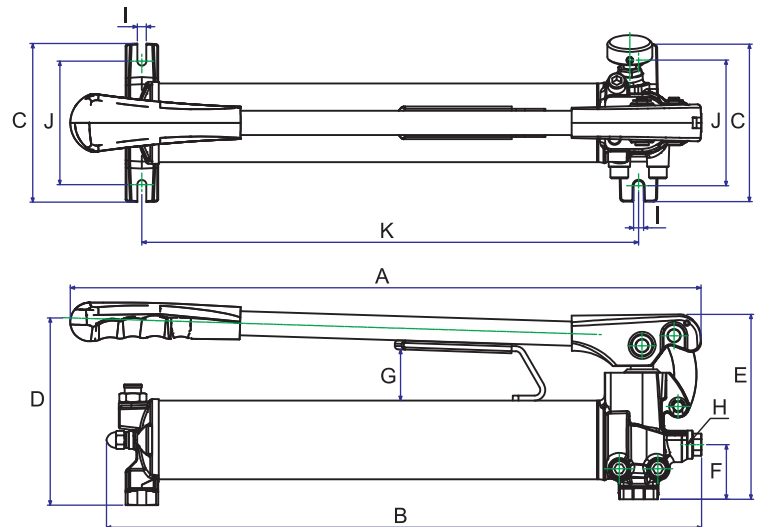
P904D



P905

## FEATURES

- High pressure hydraulic hand pumps are the solution for tough jobs.
- Reduced handle effort and ergonomic grip for less operator fatigue.
- Dual-speed operation for fast and easy operation.
- Vent free reservoir eliminates spills.
- Quick grip handle allows for easy transport.
- Integral reservoir with over-pressurization protection.
- Chrome plated plunger and wiper system for durable, long lasting performance.
- **P904D** equipped with Control valve for applying with double action cylinders.



## SPECIFICATIONS

Model No.	Pressure Rating (bar)		Oil Capacity (c.c.)	Usable Oil Capacity (c.c.)	Oil Volume per stroke (c.c.)		A (mm)	B (mm)	C (mm)	D (mm)	E (mm)	F (mm)	G (mm)	H (mm)	I (mm)	J (mm)	K (mm)	Weight (kgs)
	1st stage	2nd stage			1st stage	2nd stage												
P901	20	700	450	300	19.4	1.2	447	369.5	140	163	164	48.5	45	3/8"NPT	8	112	282	6.5
P902	20	700	850	750	19.4	2.8	560	530	140	167	164	48.5	45		8	112	442	7.8
P903	20	700	1600	1400	19.4	2.8	633	597.5	140	170	164	48.5	36.5		8	112	510	10
P904	27.5	700	2500	2200	39.5	2.8	633	578	150	208	195	55	46		8	121	502	13.5
<b>P904D</b>	27.5	700	2500	2200	35.6	2.8	633	609	150	208	195	38	47		8	121	502	15
P905	20	1000	850	750	19.4	1.2	560	530	140	167	164	48.5	45	8	112	442	7.8	

# ALUMINUM HAND PUMPS



AHP703D



UHP2800

## MODEL: AHP & UHP SERIES

Dual-speed models

Large 3/8" NPT pressure port for maximum flow

Max. working pressure: 700 - 2800 bar

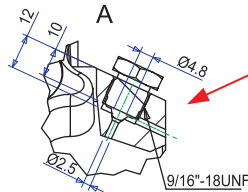
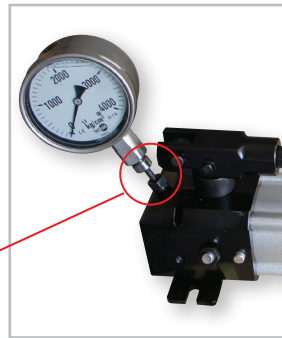


AHP705



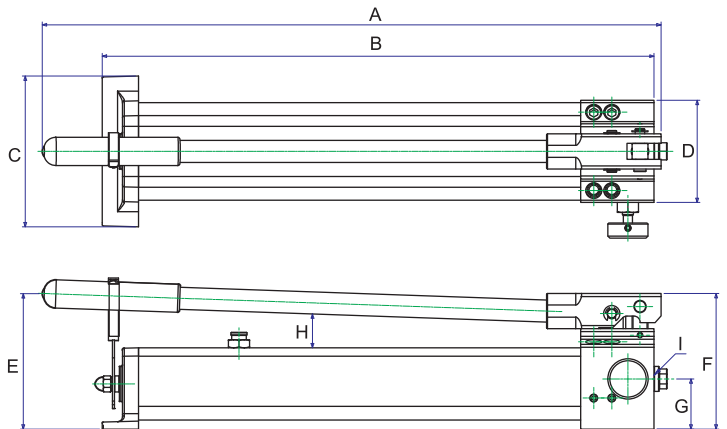
AHP701

The gauge can be mounted directly on **UHP2800JQ**, the cone thread for gauge port is 9/16"-18UNF



## FEATURES

- Rugged construction and light handle efforts.
- Aluminum Alloy construction and handy release knob with anti-losing mechanism are truly suitable to industrial requirements and your daily works.
- The light weight design is ideally for easy operation and portability.
- Double action design on **AHP703D** is ideal for double acting cylinders, no extra control valve and adapters are requested.
- **UHP2800** brings you special ultra high pressure application but with light weight.
- **UHP2800JQ** directly mounted with Pressure gauge and no extra adaptors needed. More efficient and convenient.



## SPECIFICATIONS

Model No.	Pressure Rating (bar)		Oil Capacity (c.c.)	Usable Oil Capacity (c.c.)	Oil Volume Per Stroke (c.c.)		A (mm)	B (mm)	C (mm)	D (mm)	E (mm)	F (mm)	G (mm)	H (mm)	I	Weight (kgs)
	1st stage	2nd stage			1st stage	2nd stage										
AHP701	20	700	500	350	12.9	1.65	391	361	110	77	140	127	42.5	37	3/8"-NPT	2.3
AHP702	20	700	1000	750	12.9	1.65	542	513	110	77	130	127	42.5			3.5
AHP703	20	700	2000	1620	12.9	2.30	623	556	150	102	135	135	50			6
<b>AHP703D</b>	20	700	2000	1620	12.9	2.30	623	556	150	102	135	135	24/37			7.0
AHP704	20	1000	1000	750	12.9	1.65	539	501	110	77	145	127	42.5	3/4"-16UNF	G 1/4"	3.5
AHP705	20	1500	2000	1620	12.9	1.00	699	629	150	102	152	157	50			6.7
<b>UHP2800</b>	20	2800	1000	700	12.9	0.65	620	488	79.5	140	157	156.5	26			6.7
<b>UHP2800JQ</b>	20	2800	1000	700	12.9	0.65	617	568	79.5	140	157	156.5	93	6.7		

# STEEL HAND PUMPS



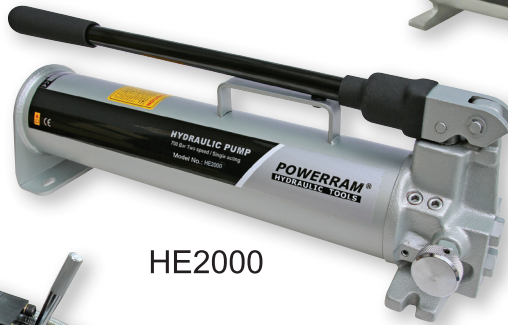
HA600

## MODEL: HA-HF SERIES

Single & Dual-speed models  
Large 3/8" NPT pressure port for maximum flow.  
Max. working pressure: 200 & 700 bar



HC1500



HE2000



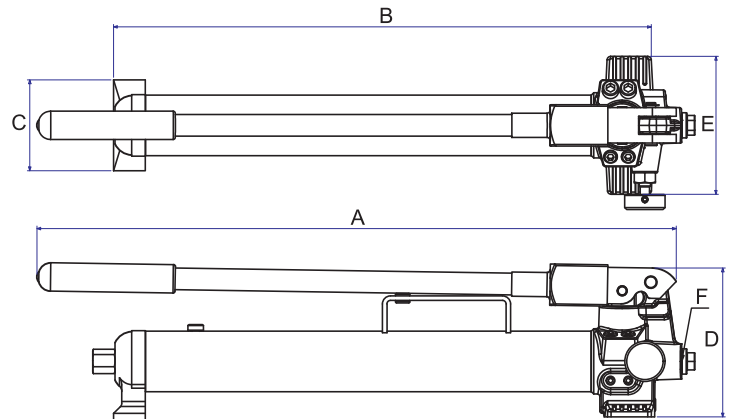
HB350



HE2421

## FEATURES

- Rugged construction and light handle efforts.
- Handy release knobs with anti-leaking mechanism are truly suitable to industrial requirement and your daily works.
- Both single and Dual-speed models are available.
- Internal overload relief valve prevents pump from being used beyond its rated capacity.
- External adjustable relief valve with anti-losing mechanism design.
- Carrying handle for easy portability.
- **HE2421** equipped with Control valve for applying with double action cylinders.



## SPECIFICATIONS

Model No.	Pressure Rating (bar)		Oil Capacity (c.c.)	Usable Oil Capacity (c.c.)	Oil Volume Per Stroke (c.c.)		A (mm)	B (mm)	C (mm)	D (mm)	E (mm)	Oil Port Thread F	Weight (kgs)
	1st Stage	2nd Stage			1st Stage	2nd Stage							
HB350	20	200	350	250	13.0	2.8	342	310	66	148	137	3/8 NPT	5.9
HB600	20	700	750	550	13.0	2.8	542	480	90	148	137	3/8 NPT	7.6
HB700	20	700	850	640	13.0	2.8	633	528	90	148	137	3/8 NPT	8
HC1500	20	700	1500	1200	13.0	2.8	633	551	106	200	142	3/8 NPT	11.2
HC2500	20	700	2500	2200	13.0	2.8	713	632	106	200	142	3/8 NPT	12
HE2000	20	700	2100	1800	13.0	2.8	580	523	140	189	148	3/8 NPT	11.5
<b>HE2421</b>	20	700	2100	1800	13.0	2.8	580	523	140	189	148	-	12.0
HF350	20	700	350	280	7.0	1.0	343	310	66	127	142	3/8 NPT	5.5
HA350	200		350	280	3.2		332	292	90	148	137	3/8 NPT	5.7
HA600	700		750	550	3.2		542	478	90	148	137	3/8 NPT	7.1
HA700	700		850	640	3.2		632	526	90	148	137	3/8 NPT	7.6
HD300	700		300	200	2.8		330	283	90	127	130	1/4 NPT	4.4
HD500	700		500	400	2.8		530	469	90	127	130	1/4 NPT	5.4

# HEAVY-DUTY HAND PUMPS

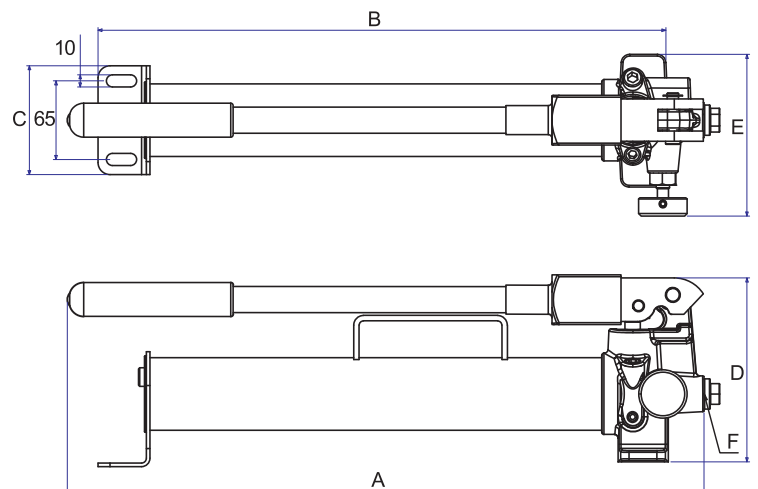
## MODEL: PA & PB SERIES

Single & Dual-speed models  
Large 3/8" NPT pressure port for max. flow  
Low handle force for easy operation  
Max. working pressure: 200 & 700 bar



### FEATURES

- POWERRAM heavy duty hand pumps are feature with forged and welded construction to prevent collision and deformation.
- Professional choice for a wide range of industrial applications.
- Both single and Dual-speed models are available.
- Internal overload valve relief prevents pump from being used beyond its rated capacity.
- External adjustable relief valve with anti-losing mechanism design.
- Carrying handle for easy portability.



### SINGLE-SPEED HEAVY-DUTY HAND PUMPS

Model No.	Pressure Rating (bar)	Usable Oil Capacity (c.c.)	Oil Volume Per Stroke (c.c.)	A (mm)	B (mm)	C (mm)	D (mm)	E (mm)	Oil Port Thread F	Weight (kgs)
PA350	200	250	3.1	335	295	90	146	128	3/8 NPT	5
PA600	700	550	3.1	545	485	90	146	128	3/8 NPT	6.1
PA700	700	640	3.1	632	533	90	146	128	3/8 NPT	6.5

### TWO-SPEED HEAVY-DUTY HAND PUMPS

Model No.	Pressure Rating (bar)		Usable Oil Capacity (c.c.)	Oil Volume Per Stroke (c.c.)		A (mm)	B (mm)	C (mm)	D (mm)	E (mm)	Oil Port Thread F	Weight (kgs)
	1st Stage	2nd Stage		1st Stage	2nd Stage							
PB350	20	200	250	13.0	2.8	335	303	90	146	128	3/8 NPT	5.5
PB600	20	700	550	13.0	2.8	545	493	90	146	128	3/8 NPT	7
PB700	20	700	640	13.0	2.8	590	541	90	146	128	3/8 NPT	7.3

# HAND PUMP PACKAGES



## MODEL: PUMP BG SERIES

Dual-speed models

Low handle effort for easy operation

Max. working pressure: 200 - 2,800 bar



## FEATURES

- Packed with steel case for easy storage and portable works.
- 700 bar pump sets are including gauge adaptor, pressure gauge and 1.5mtrs hose.
- 1000 - 2800 bar pump sets are including ultra high pressure gauge and hose for special applications.

## SPECIFICATIONS

Model No.	Pressure Rating (bar)		Oil Capacity (c.c.)	Oil Volume Per Stroke (c.c.)		Pressure Gauge	Hydraulic Hose	Weight (kg)
	1st Stage	2nd Stage		1st Stage	2nd Stage			
PB350BG	13.8	200	350	13.0	2.8	1000 bar / 2-1/2" Dial	3/8NPT / 5 feet long	12.4
PB600BG	13.8	700	600	13.0	2.8			13.8
PB700BG	13.8	700	700	13.0	2.8			14.0
HC1500BG	13.8	700	1500	13.0	2.8			22.6
HC2000BG	13.8	700	2000	13.0	2.8			24.8
AHP701BG	20	700	500	12.9	1.65			10.4
AHP702BG	20	700	1000	12.9	1.65			11.1
AHP703BG	20	700	2000	12.9	2.30			18.1
AHP703DBG	20	700	2000	12.9	2.30			21.0
P901BG	20	700	450	19.4	1.2			14.6
P902BG	20	700	850	19.4	2.8	15.4		
P903BG	20	700	1600	19.4	2.8	22.1		
P904BG	27.5	700	2500	39.5	2.8	34.5		
P904DBG	27.5	700	2500	35.6	2.8	37.0		
P905BG	20	1000	850	19.4	1.2	1600 bar / 4" Dial	G1/4 / 6 feet long	30.5
AHP704BG	20	1000	1000	12.9	1.65	1600 bar / 4" Dial	G1/4 / 6 feet long	24.5
AHP705BG	20	1500	2000	12.9	1.00	2500 bar / 4" Dial	G1/4 / 6 feet long	27.0
UHP2800BG	20	2800	1000	12.9	0.65	4000 bar / 4" Dial	G1/4 / 6 feet long	28.0

# HEAVY DUTY HAND PUMPS

## MODEL: HP35 & HP50 Series

Dual-speed model

Large 3/8" NPT pressure port for maximum flow.

Max. working pressure: 700 bar



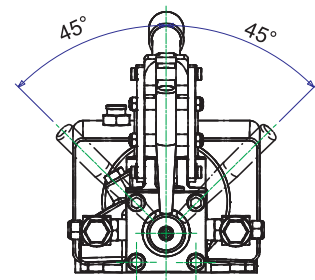
HP35



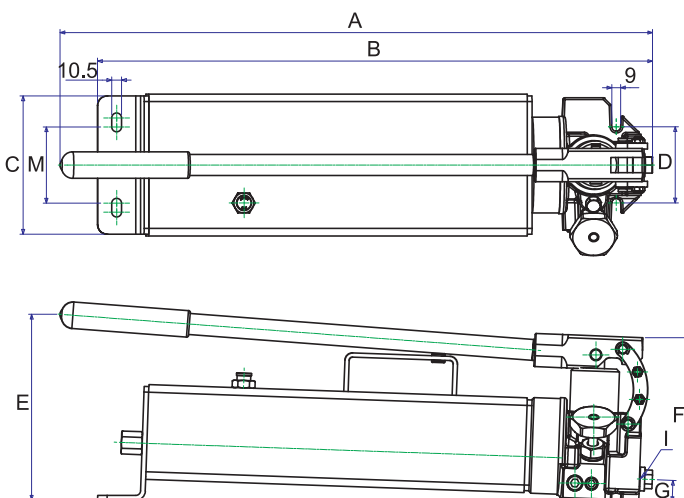
HP35D

### FEATURES

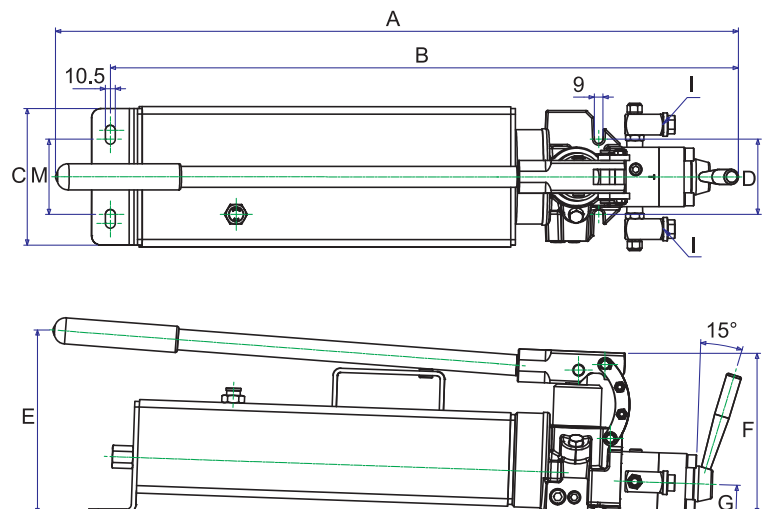
- Steel casting tank.
- Internal overload relief valve prevents pump from being used beyond its rated capacity.
- HP35D & HP50D are ideal for double-acting cylinder without the need for additional control valve.



MODEL: HP35 / HP50



MODEL: HP35D / HP50D ( Double-Acting )



### SPECIFICATIONS

Model No.	Pressure Rating (bar)		Oil Capacity (c.c.)	Usable Oil Cap. (c.c.)	Oil Volume Per Stroke (c.c.)		A (mm)	B (mm)	C (mm)	D (mm)	E (mm)	F (mm)	G (mm)	I (mm)	M (mm)	Weight (kg)
	1st stage	2nd stage			1st stage	2nd stage										
HP35	28	700	3500	2950	30	3	626	586	146	80.5	196	171.5	22.4	3/8"NPT	80.5	16.5
HP35D	28	700	3500	2950	30	3	741	680	146	80.5	196	171.5	35	3/8"NPT	80.5	19.0
HP50	28	700	5000	4450	30	3	626	586	146	80.5	196	171.5	22.4	3/8"NPT	80.5	20.0
HP50D	28	700	5000	4450	30	3	741	680	146	80.5	196	171.5	35	3/8"NPT	80.5	22.5

# 7L RESERVOIR HAND PUMPS

## MODEL: HP80 & HP80D

Dual-speed models

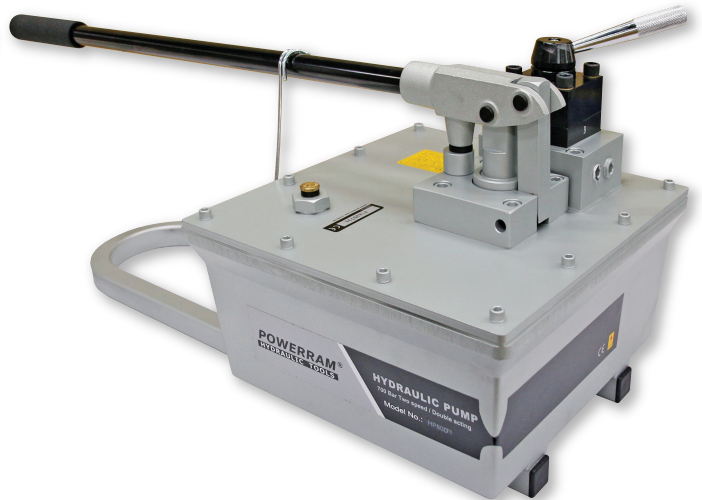
Large 3/8" NPT pressure port for max. flow

Heavy-Duty, Large reservoir

Max. working pressure: 700 bar



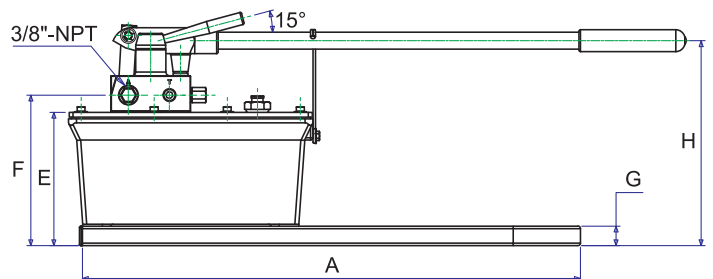
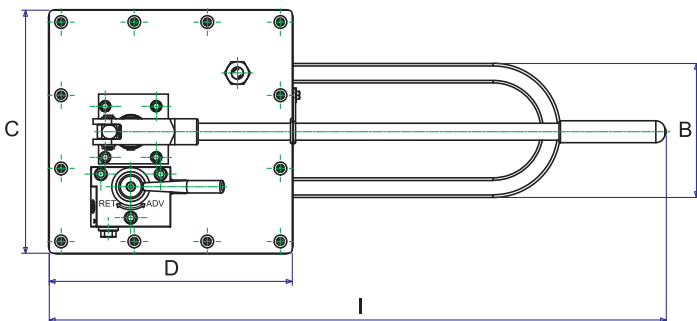
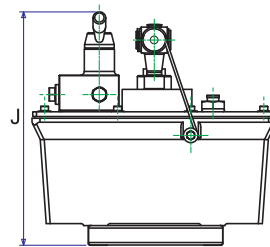
HP80



HP80D

### FEATURES

- Casting tank made of steel.
- Internal overload relief valve prevents pump from being used beyond its rated capacity.
- HP80D is ideal for double-acting cylinders without the need for additional control valve.



### SPECIFICATION

Model No.	Pressure Rating (bar)		Oil Capacity (c.c.)	Oil Volume Per Stroke (c.c.)		A (mm)	B (mm)	C (mm)	D (mm)	E (mm)	F (mm)	G (mm)	H (mm)	I (mm)	J (mm)	Weight (kg)
	1st stage	2nd stage		1st stage	2nd stage											
HP80	27.5	700	8000	113	4	635	171	310	310	170	192	25	261	787	298	24.7
HP80D	27.5	700	8000	113	4	635	171	310	310	170	196	25	261	787	298	27.5

# SPECIAL HAND PUMPS



P350A



P350B

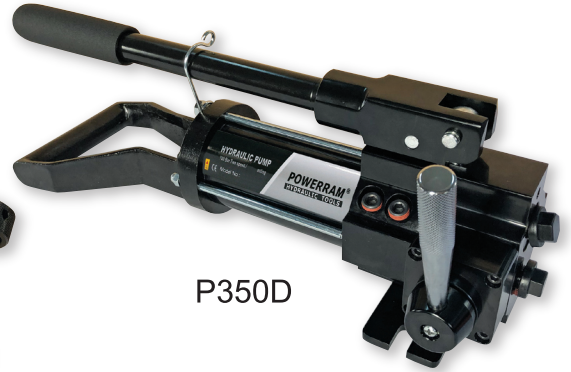
## MODEL: P350 SERIES

Dual-speed models

Could be operated in any directions

Large 3/8" NPT pressure port for max. flow

Max. working pressure: 700 bar

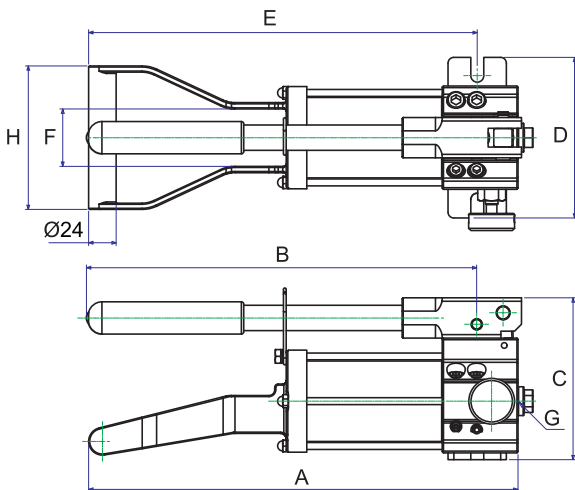


P350D

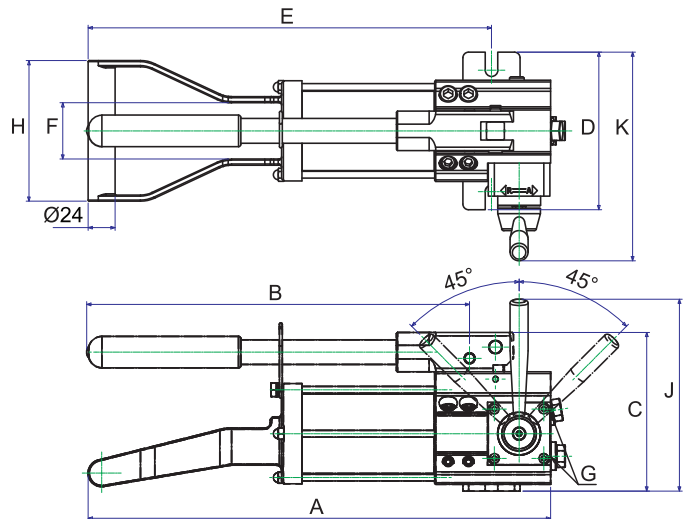
## FEATURES

- Special design with aluminum alloy construction as much light weight is ideally for easy portability and maneuvering.
- The sealed oil reservoir design allows the hand pumps to be operated at all angels without the risk of air contamination and oil spills.
- The best optional hand pumps allow for sub-sea operation.
- Unique design of triangle hand-held base is easy to carry & operate.
- A: Single-port hand pump is used for one single-acting cylinder
- B: Twin-port hand pump is used for two single-acting cylinders simultaneously
- D: Double-acting hand pump is used for one double-acting cylinder

### MODEL: P350A & P350B



### MODEL: P350D



## SPECIFICATIONS

Model No.	Pressure Rating (bar)		Usable Oil Capacity (c.c.)	Oil Volume Per Stroke (c.c.)		A (mm)	B (mm)	C (mm)	D (mm)	E (mm)	F (mm)	G (mm)	H (mm)	J (mm)	K (mm)	Weight (kgs)
	1st stage	2nd stage		1st stage	2nd stage											
P350A	20	700	350	5.8	0.9	374	340	140	140	338.5	50	3/8"-NPT	125	—	—	4.4
P350B	20	700	350	5.8	0.9	421	340	140	140	363.5	50	3/8"-NPT	125	—	—	6.2
P350D	20	700	350	5.8	0.9	411	340	140	140	358.5	50	3/8"-NPT	125	171	185	5.3

# SPECIAL HAND PUMPS



P550A



P550D



P550B

## MODEL: P550 SERIES

Dual-speed models

Could be operated in any directions

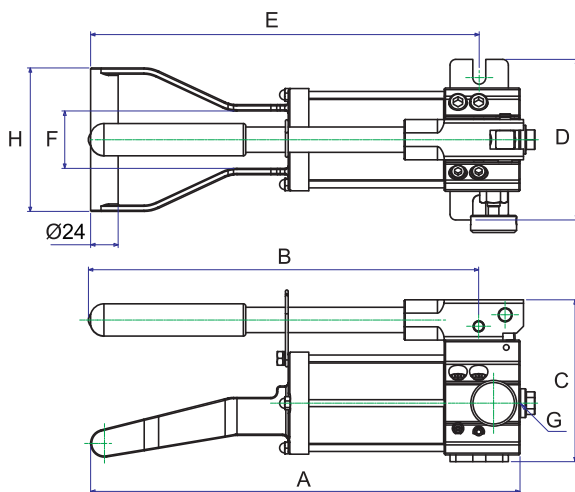
Large 3/8" NPT pressure port for max. flow

Max. working pressure: 700 bar

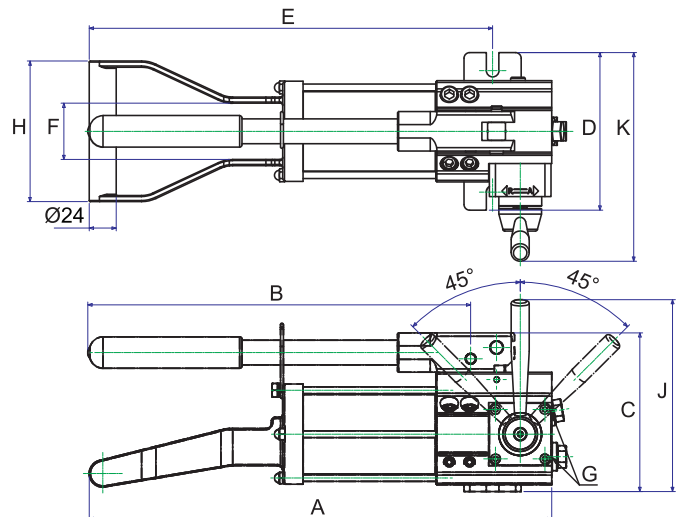
## FEATURES

- Special design with aluminum alloy construction as much light weight is ideally for easy portability and maneuvering.
- The sealed oil reservoir design allows the hand pumps to be operated at all angles without the risk of air contamination and oil spills.
- The best optional hand pumps allow for sub-sea operation.
- Unique design of triangle hand-held base is easy to carry & operate.
- A: Single-port hand pump is used for one single-acting cylinder
- B: Twin-port hand pump is used for two single-acting cylinders simultaneously
- D: Double-acting hand pump is used for one double-acting cylinder

### MODEL: P550A & P550B



### MODEL: P550D



## SPECIFICATIONS

Model No.	Pressure Rating (bar)		Usable Oil Capacity (c.c.)	Oil Volume Per Stroke (c.c.)		A (mm)	B (mm)	C (mm)	D (mm)	E (mm)	F (mm)	G (mm)	H (mm)	J (mm)	K (mm)	Weight (kgs)
	1st stage	2nd stage		1st stage	2nd stage											
P550A	20	700	550	5.8	0.9	494	463	140	140	458.5	50	3/8"-NPT	125	—	—	6
P550B	20	700	550	5.8	0.9	541	463	140	140	483.5	50	3/8"-NPT	125	—	—	7.1
P550D	20	700	550	5.8	0.9	531	463	140	140	478.5	50	3/8"-NPT	125	171	185	5.5

# SPECIAL HAND PUMPS



P1000A



P1000D



P1000B

## MODEL: P1000 SERIES

Dual-speed models

Could be operated in any directions

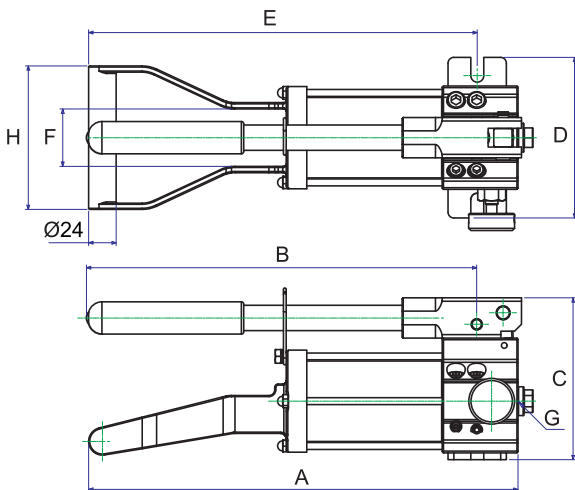
Large 3/8" NPT pressure port for max. flow

Max. working pressure: 700 bar

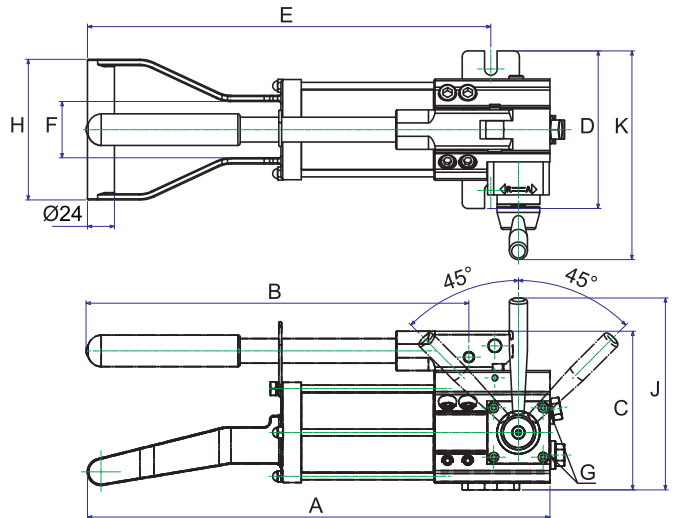
## FEATURES

- Special design with aluminum alloy construction as much light weight is ideally for easy portability and maneuvering.
- The sealed oil reservoir design allows the hand pumps to be operated at all angels without the risk of air contamination and oil spills.
- The best optional hand pumps allow for sub-sea operation.
- Unique design of triangle hand-held base is easy to carry & operate.
- A: Single-port hand pump is used for one single-acting cylinder
- B: Twin-port hand pump is used for two single-acting cylinders simultaneously
- D: Double-acting hand pump is used for one double-acting cylinder

### MODEL: P1000A & P1000B



### MODEL: P1000D



## SPECIFICATIONS

Model No.	Pressure Rating (bar)		Usable Oil Capacity (c.c.)	Oil Volume Per Stroke (c.c.)		A (mm)	B (mm)	C (mm)	D (mm)	E (mm)	F (mm)	G (mm)	H (mm)	J (mm)	K (mm)	Weight (kgs)
	1st stage	2nd stage		1st stage	2nd stage											
P1000A	20	700	1000	5.8	0.9	694	568	140	140	658.5	50	3/8"-NPT	125	—	—	6.6
P1000B	20	700	1000	5.8	0.9	741	568	140	140	683.5	50	3/8"-NPT	125	—	—	8.3
P1000D	20	700	1000	5.8	0.9	731	568	140	140	678.5	50	3/8"-NPT	125	171	185	7.7

# SPECIAL PUMP HEAD

## MODEL: PH SERIES

Large 3/8" NPT pressure port

Max Volume/Stroke: 2.36 - 34 c.c.

Max. working pressure: 52 - 827 bar



PH1003



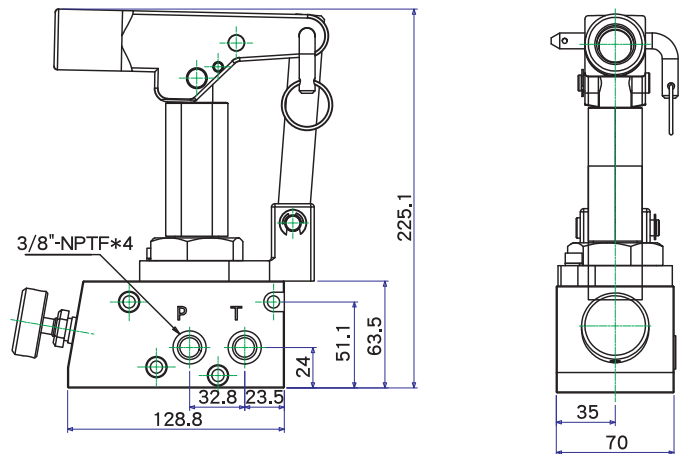
PH1004



PH1006

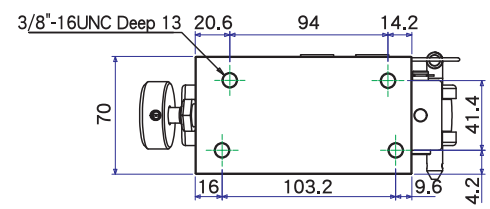
## FEATURES

- The aluminum alloy pump block manifold and forged pump housing are ideally for easy portability maneuvering and flexible fixture.
- Can be used to pressurize water, chemical liquids to run the pipe leakage testing and maintenance jobs.
- Wide range of operating pressure to select from.



## SPECIFICATIONS

Model No.	Operating Pressure (bar)	Volume per Stroke (cm <sup>3</sup> )	Max. Handle Effort (kg)	Weight (kg)
PH1003	827	2.36	30	4.4
PH1004	448	3.80	25	5.5
PH1006	206	8.50	26	5.9
PH1008	69	14.70	15	6.1
PH1012	52	34.0	26	5.7



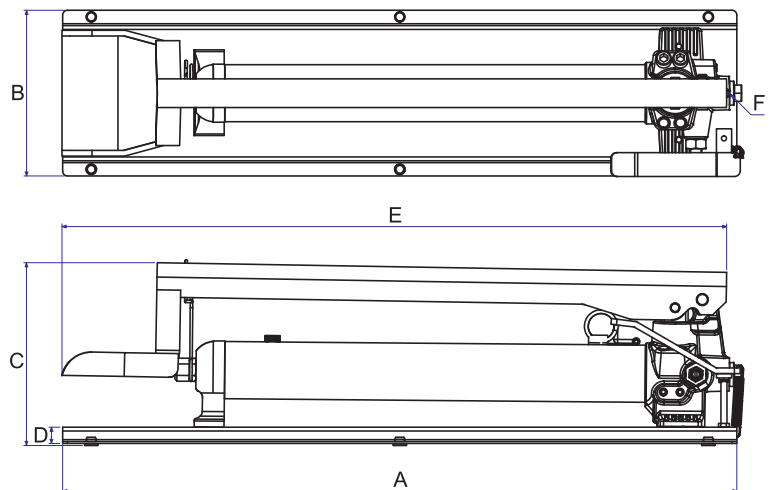
## MODEL: FHA & FHB SERIES

Single & Dual-speed models  
 Large 3/8" NPT pressure port for max. flow  
 Low handle force for easy operation  
 Max. working pressure: 700 bar



### FEATURES

- Unique foot pumps are characterized by their the exquisite design durability and stability.
- Foot-operated pump and release pedal provide the for operating in different working conditions.
- Both Single and Dual-Speed are available.
- Foot pedal with spring return is convenience and easy to use.
- Internal overload valve prevents pump from being used beyond its rated capacity.



### Hoses & Adaptors

Page 73-79



### Manifolds & Control Valves

Page 73-79



### SPECIFICATION

Model No.	Pressure Rating (bar)		Usable Oil Capacity (c.c.)	Oil Volume Per Stroke (c.c.)		A (mm)	B (mm)	C (mm)	D (mm)	E (mm)	Oil Port Thread F	Weight (kg)
	1st Stage	2nd Stage		1st Stage	2nd Stage							
FHA350	700		350	3.1		474	174	192	17	461	3/8 NPT	8.4
FHA600	700		600	3.1		660	174	192	17	647	3/8 NPT	10.3
FHA700	700		700	3.1		708	174	192	17	695	3/8 NPT	11.5
FHB350	13.8	700	350	13.0	2.8	474	174	192	17	461	3/8 NPT	8.8
FHB600	13.8	700	600	13.0	2.8	660	174	192	17	647	3/8 NPT	10.8
FHB700	13.8	700	700	13.0	2.8	708	174	192	17	695	3/8 NPT	12

# AIR HYDRAULIC FOOT PUMP

## MODEL: AP921 & AP922

Single acting model

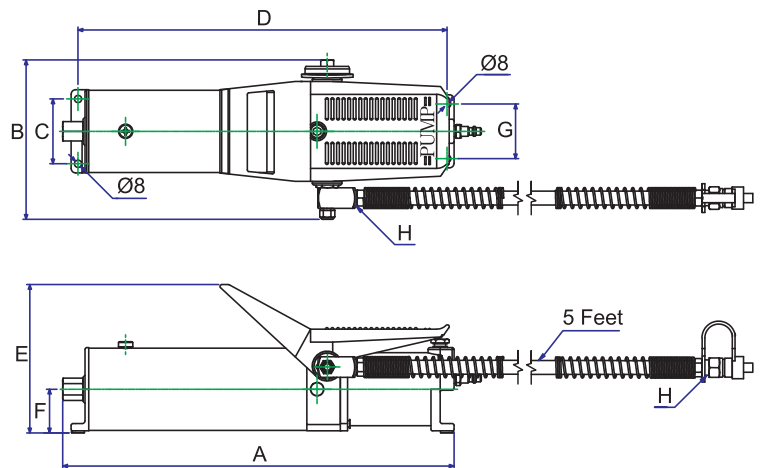
Max. working pressure: 700 bar



AP921

### FEATURES

- Air-power hydraulic pump is designed for using with single-acting cylinders and tools.
- Rugged construction that most components are made of Aluminum alloy and built for long service life, easy operation and portability.
- Automatic overload relief valve setting as 10,000 psi protects components in hydraulic system and ensure work safety.
- New Inlet & Outlet design features low exhausting air volume, quiet effect and can be operated in all directions.



### SPECIFICATION

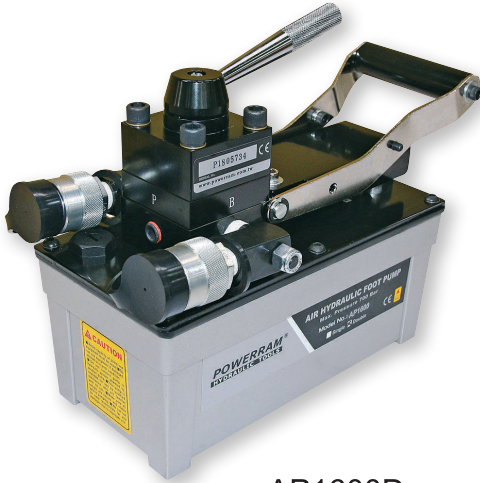
Model No.	Acting	Max. Pressure Output (psi)	Valve		Oil Del. ( c.c./min. @ )*			
			Type	Function	0(psi)	100(psi)	5000(psi)	10000(psi)
AP921	Single	10,000	—	Advance	700	—	—	100
AP922	Single	10,000	—	Advance	700	—	—	100

Model No.	Input Air Pressure (kg)	Reservoir Capacity (c.c.)	Usable Oil Capacity (c.c.)	A (mm)	B (mm)	C (mm)	D (mm)	E (mm)	F (mm)	G (mm)	H (mm)	Weight (kg)
AP921	7-10	850	750	423	170	70	399	160	47	59	1/4" NPT	6.1
AP922	7-10	850	750	423	170	70	399	160	47	59	3/8" NPT	6.1

# AIR HYDRAULIC FOOT PUMP

## MODEL: AP1600 SERIES

Single & Double acting models  
Max. working pressure: 700 bar



AP1600D

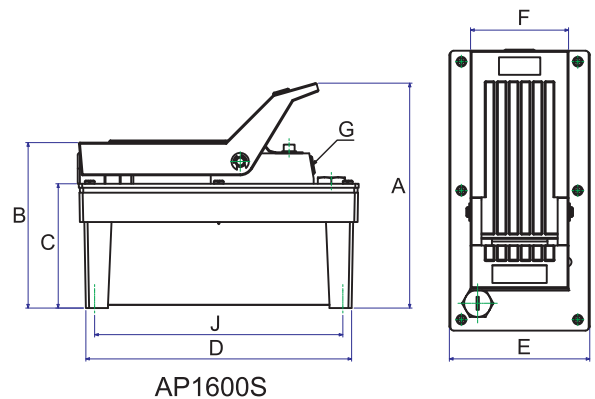
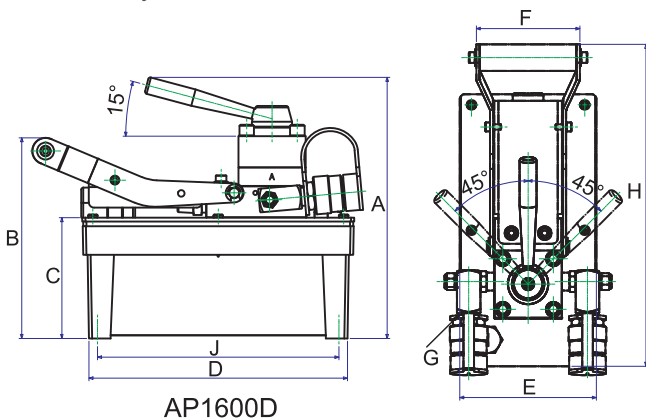


AP1600S

### FEATURES

- Air-power hydraulic pump is designed for using with single-acting cylinders and tools.
- Rugged construction and most components are made of Aluminum alloy and built for long service life, easy operation and portability.
- Automatic overload relief valve setting as 10,000 psi protects components in hydraulic system and ensure work safety.

- New Inlet & Outlet design features low exhausting air volume, quiet effect and can be operated in all directions.
- Oil capacity can be modified according to your specific application.



### SPECIFICATION

Model No.	Acting	Max. Pressure Output (psi)	Valve		Oil Del. ( c.c./min. @ )*			
			Type	Function	0(psi)	100(psi)	5000(psi)	10000(psi)
AP1600S	Single	10,000	---	Advance	1250	---	---	195
AP1600D	Double	10,000	3 Position / 4 Way	Advance/ Hold/ Retract	1250	---	---	195

Model No.	Input Air Pressure (kg)	Reservoir Capacity (c.c.)	Usable Oil Capacity (c.c.)	A (mm)	B (mm)	C (mm)	D (mm)	E (mm)	F (mm)	G (mm)	H (mm)	J (mm)	Weight (kg)
AP1600S	7-10	1600	1300	207	152	114	244	129	90	3/8"-NPT	—	228	7.3
AP1600D	7-10	1600	1300	207	152	114	244	129	98	3/8"-NPT	304	228	9.3

# AIR HYDRAULIC FOOT PUMP

## MODEL: AP3000 SERIES

Single & Double acting models  
Max. working pressure: 700 bar



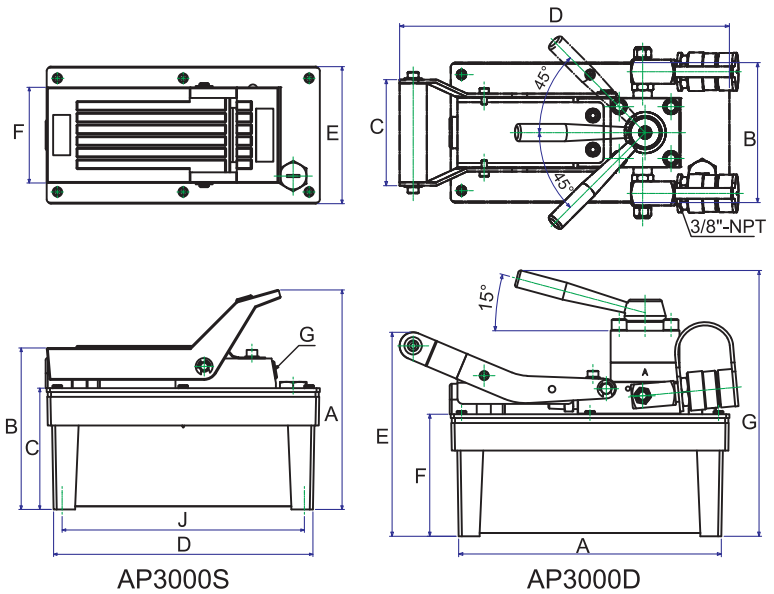
AP3000D



AP3000S

### FEATURES

- Air-power hydraulic pump is designed for using with single-acting cylinders and tools.
- Rugged construction and most components are made of Aluminum alloy and built for long service life, easy operation and portability.
- Automatic overload relief valve setting as 10,000 psi protects components in hydraulic system and ensure work safety.
- New Inlet & Outlet design features low exhausting air volume, quiet effect and can be operated in all directions.
- Oil capacity can be modified according to your specific application.



Model No.	Acting	Max. Pressure Output (psi)	Valve		Oil Del. ( c.c./min. @ )*			
			Type	Function	0(psi)	100(psi)	5000(psi)	10000(psi)
AP3000S	Single	10,000	---	Advance	1250	---	---	195
AP3000D	Double	10,000	3 Position / 4 Way	Advance/ Hold/ Retract	1250	---	---	195

Model No.	Input Air Pressure (kg)	Reservoir Capacity (c.c.)	Usable Oil Capacity (c.c.)	A (mm)	B (mm)	C (mm)	D (mm)	E (mm)	F (mm)	G (mm)	H (mm)	J (mm)	Weight (kg)
AP3000S	7-10	3000	2500	247	190	114	309	160	90	3/8"-NPT	—	289	9.1
AP3000D	7-10	3000	2500	247	190	114	309	160	98	3/8"-NPT	343	289	12.0

# AIR HYDRAULIC FOOT PUMP

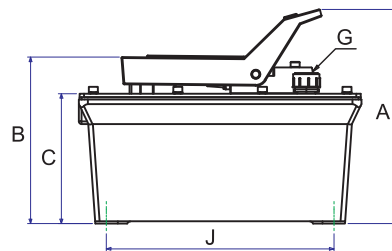
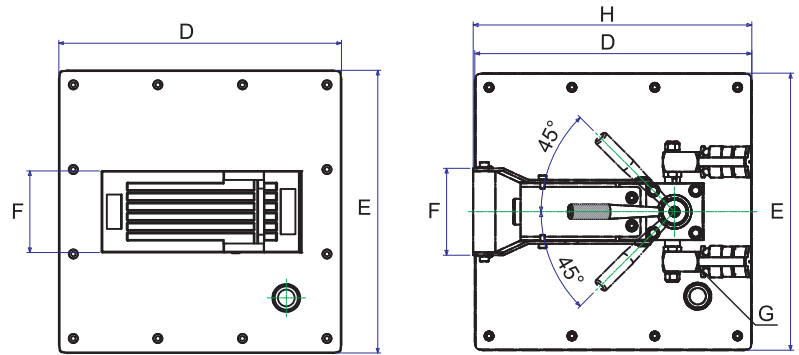
## MODEL: AP8000 SERIES

Single & Double acting models

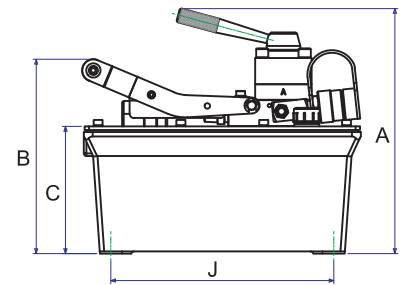
Max. working pressure: 700 bar



AP8000S



AP8000S



AP8000D

## FEATURES

- Air-power hydraulic pump is designed for using with single-acting cylinders and tools.
- Rugged construction and most components are made of Aluminum alloy and built for long service life, easy operation and portability.
- Automatic overload relief valve setting as 10,000 psi protects components in hydraulic system and ensure work safety.
- New Inlet & Outlet design features low exhausting air volume, quiet effect and can be operated in all directions.
- Oil capacity can be modified according to your specific application.

### Hoses & Adaptors

Page 73-79



### Manifolds & Control Valves

Page 73-79



## SPECIFICATION

Model No.	Acting	Max. Pressure Output (psi)	Valve		Oil Del. ( c.c./min. @ )*			
			Type	Function	0(psi)	100(psi)	5000(psi)	10000(psi)
AP8000S	Single	10,000	---	Advance	1250	---	---	195
AP8000D	Double	10,000	3 Position / 4 Way	Advance/ Hold/ Retract	1250	---	---	195

Model No.	Input Air Pressure (kg)	Reservoir Capacity (c.c.)	Usable Oil Capacity (c.c.)	A (mm)	B (mm)	C (mm)	D (mm)	E (mm)	F (mm)	G (mm)	H (mm)	J (mm)	Weight (kg)
AP8000S	7-10	8000	7200	236	184	143	311.6	311.6	90	3/8"-NPT	—	251	19.1
AP8000D	7-10	8000	7200	276	218	143	311.6	311.6	98	3/8"-NPT	313	251	31.5

# AIR HYDRAULIC PUMP

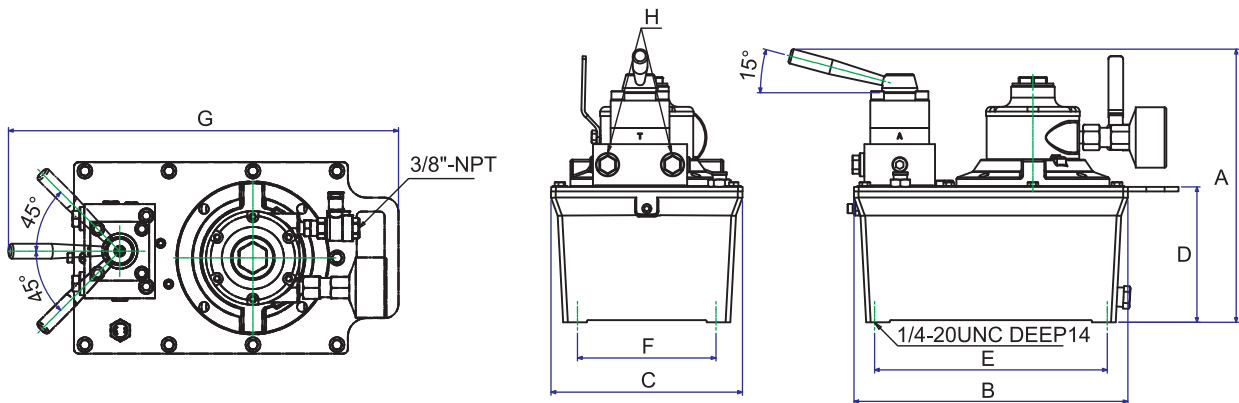
## MODEL: AP13 SERIES

Single & Double acting models  
Max. working pressure:700 BAR



### FEATURES

- Dual-speed operation for fast speed cylinder advance.
- 3L durable aluminum reservoir design.
- Air motor capable of starting under full load.
- Automatic over-load relief valve protects components of the hydraulic systems and ensures safe operation.



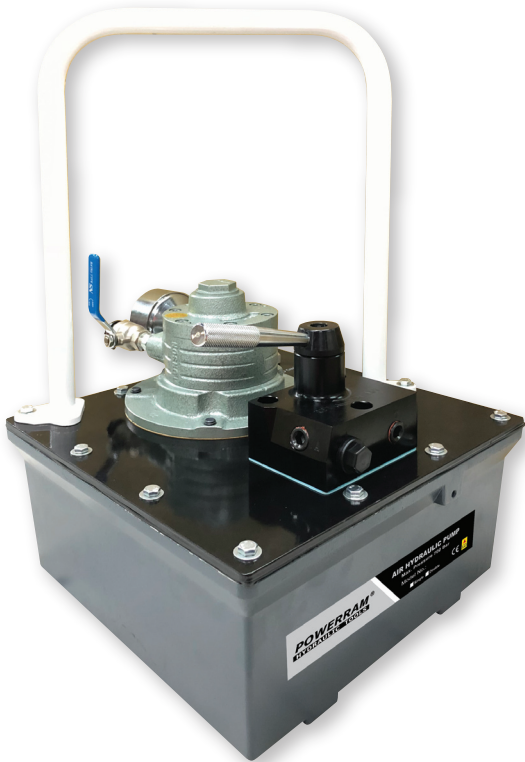
### SPECIFICATION

Model No.	Acting	Max. Pressure Output (psi)	Valve		Oil Del. ( c.c./min. @ )*			
			Type	Function	0(psi)	100(psi)	5000(psi)	10000(psi)
AP13S	Single	10,000	2 Position / 2 Way	Advance /Retract	4000	2800	330	280
AP13D	Double	10,000	3 Position / 4 Way	Advance/ Hold/ Retract	4000	2800	330	280

\* Actual flow will vary from the on site conditions.

\* AP13S: Pressure will be held when the motor is shut off.

Model No.	Reservoir Capacity (c.c.)	Usable Oil Capacity (c.c.)	A (mm)	B (mm)	C (mm)	D (mm)	E (mm)	F (mm)	G (mm)	H (mm)	Weight (kg)
AP13S	3000	2400	287	295.5	206.5	146.2	251	149.4	350	3/8"-NPT	14.4
AP13D	3000	2400	295	295.5	206.5	146.2	251	149.4	421	3/8"-NPT	15.4

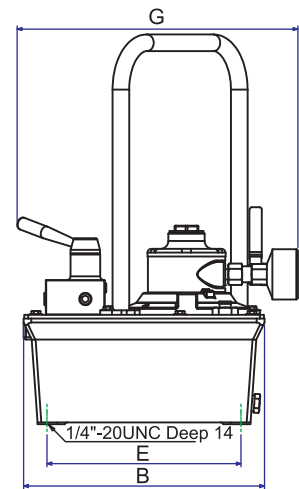
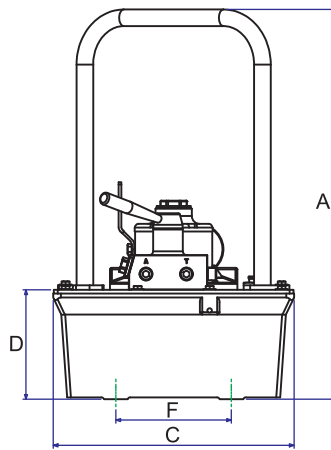
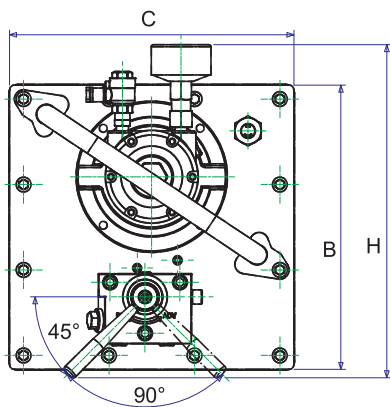


## MODEL: AP18 SERIES

Single & Double acting models  
Max. working pressure:700 BAR

### FEATURES

- Dual-speed operation for fast speed cylinder advance.
- 8L durable aluminum reservoir design.
- Air motor capable of starting under full load.
- Automatic over-load relief valve protects components of the hydraulic systems and ensures safe operation.



### SPECIFICATION

Model No.	Acting	Max. Pressure Output (psi)	Valve		Oil Del. ( c.c./min. @ )*			
			Type	Function	0(psi)	100(psi)	5000(psi)	10000(psi)
AP18S	Single	10,000	2 Position / 2 Way	Advance /Retract	4000	2800	330	280
AP18D	Double	10,000	3 Position / 4 Way	Advance/ Hold/ Retract	4000	2800	330	280

\* Actual flow will vary from the on site conditions.

\* AP18S: Pressure will be held when the motor is shut off.

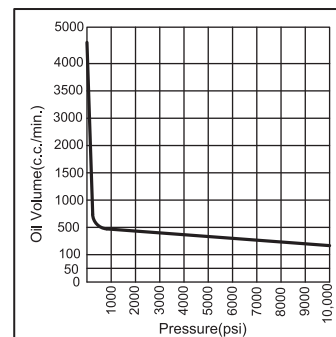
Model No.	Reservoir Capacity (c.c.)	Usable Oil Capacity (c.c.)	A (mm)	B (mm)	C (mm)	D (mm)	E (mm)	F (mm)	G (mm)	H (mm)	Weight (kg)
AP18S	8000	7200	504	312	312	141.5	251	149.4	363	3/8"-NPT	21.5
AP18D	8000	7200	504	312	312	141.5	251	149.4	408	3/8"-NPT	22

## MODEL: EP13 SERIES

ELECTRIC PUMPS, 3 LITER,  
700 BAR/10,000psi



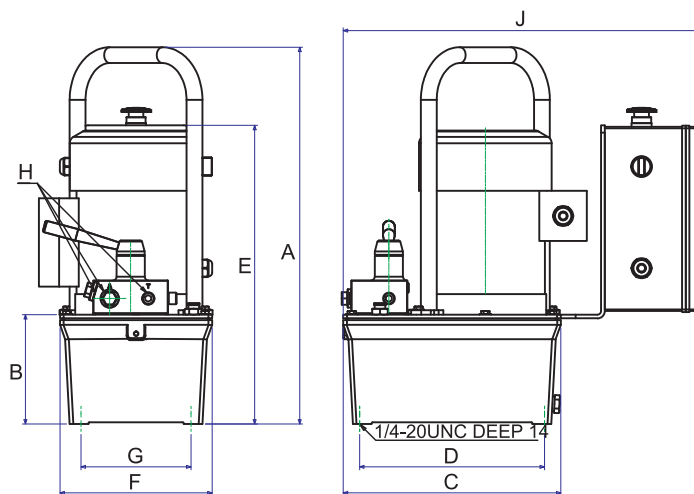
EP13



### FEATURES

- Original pumps are built with 1/2 HP, 220V, 50/60Hz, Single phases universal brushless motor.
- Internal relief valve (700 bars) protects the components and work safety.
- Pumps are included with 24V, 3 meters remote control cord.
- Quiet pumps comply OSHA noise limitation (80dBA at 700bar).
- EP13D specially designed for double-acting cylinders without the need for additional control valve and adapters.
- Conform to CE standards.
- **Both models are available with Solenoid Valve version.**

### MODEL:EP13S



### SPECIFICATION

Model No.	Acting	RPM 50/60 Hz	Reservoir Capacity (c.c.)	Usable Oil Capacity (c.c.)	Motor	Max. Pressure Output (psi)	Valve		Oil Del. (c.c./min. @)*(60Hz)			
							Type	Function	0(psi)	100(psi)	5000(psi)	10000(psi)
EP13S	Single	2860 / 3450	3,000	2,400	0.45 kW 110V / 220V 50 / 60 Hz	10,000	2 Position / 2 Way	Hold /Retract	4,000	2,800	330	280
EP13SS*												
EP13D	Double	2860 / 3450	3,000	2,400	Single Phase	10,000	3 Position / 4 Way	Adv./Hold /Retract	4,000	2,800	330	280
EP13DS*												

Model No.	A (mm)	B (mm)	C (mm)	D (mm)	E (mm)	F (mm)	G (mm)	H	J (mm)	Weight (kg)
EP13 Series	511.5	148.5	295.5	251	406	206.5	149.4	3/8"-NPT	485	27

\* Solenoid Valve version.

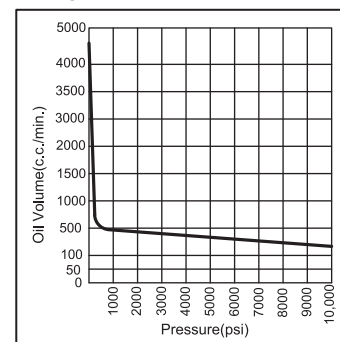
\*\* The weight is excluding the hydraulic oil.

## MODEL: EP18 SERIES

ELECTRIC PUMPS, 8 LITER,  
700 BAR/10,000psi



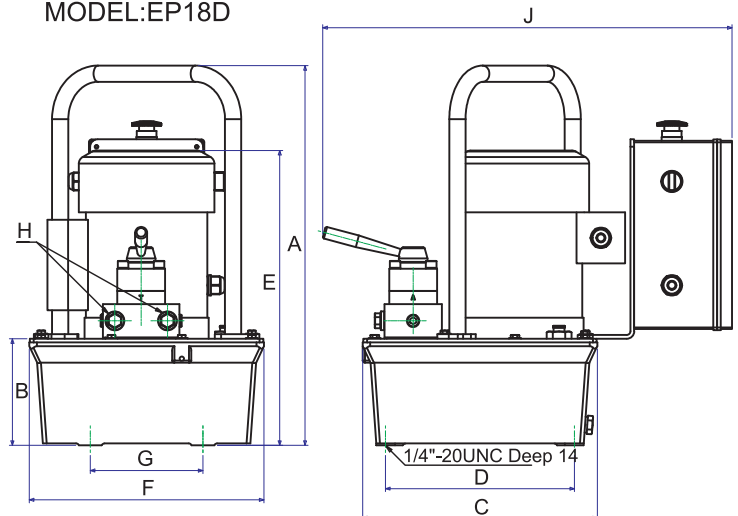
EP18



### FEATURES

- Original pumps are built with 1/2 HP, 220V, 50/60Hz, Single phases universal brushless motor.
- Internal relief valve (700 bars) protects the components and work safety.
- Pumps are included with 24V, 3 meters remote control cord.
- Quiet pumps comply OSHA noise limitation (80dBA at 700bar).
- EP18D specially designed for double-acting cylinders without the need for additional control valve and adapters.
- Conform to CE standards.
- **Both models are available with Solenoid Valve version.**

MODEL:EP18D



### SPECIFICATION

Model No.	Acting	RPM 50/60 Hz	Reservoir Capacity (c.c.)	Usable Oil Capacity (c.c.)	Motor	Max. Pressure Output (psi)	Valve		Oil Del. (c.c./min. @)*(60Hz)			
							Type	Function	0(psi)	100(psi)	5000(psi)	10000(psi)
EP18S	Single	2860 / 3450	8,000	7,200	0,45 kW 110V / 220V 50 / 60 Hz Single Phase	10,000	2 Position / 2 Way	Hold /Retract	4,000	2,800	330	280
EP18D	Double	2860 / 3450	8,000	7,200					3 Position / 4 Way	Adv./Hold /Retract	4,000	2,800

Model No.	A (mm)	B (mm)	C (mm)	D (mm)	E (mm)	F (mm)	G (mm)	H	J (mm)	Weight (kg)
EP18 Series	504	141.5	311.6	251	391.5	311.6	149.4	3/8"-NPT	543.5	32

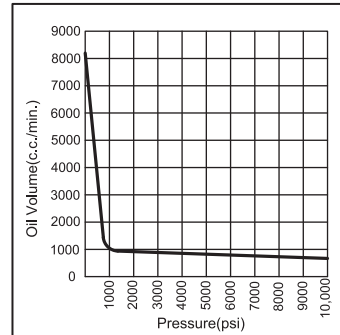
\* Solenoid Valve version.

\*\* The weight is excluding the hydraulic oil.

**MODEL: EP211 SERIES**  
ELECTRIC PUMPS, 11 LITER,  
700 BAR/10,000psi



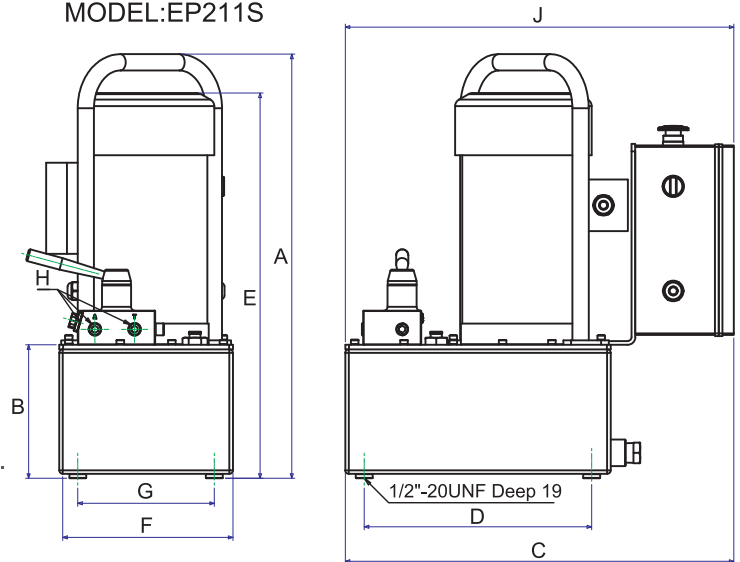
EP211



## FEATURES

- Original pumps are built with 1 1/2 HP, 220V, 50/60Hz, Single phases universal brushless motor.
- Internal relief valve (700 bars) protects the components and work safety.
- Pumps are included with 24V, 3 meters remote control cord.
- Quiet pumps comply OSHA noise limitation (80dBA at 700bar).
- EP211D specially designed for double-acting cylinders without the need for additional control valve and adapters.
- Conform to CE standards.
- **Both models are available with Solenoid Valve version.**

MODEL:EP211S



## SPECIFICATION

Model No.	Acting	RPM 50/60 Hz	Reservoir Capacity (c.c.)	Usable Oil Capacity (c.c.)	Motor	Max. Pressure Output (psi)	Valve		Oil Del. (c.c./min.@)*(60Hz)			
							Type	Function	0(psi)	100(psi)	5000(psi)	10000(psi)
EP211S	Single	2860 / 3450	11,000	9,500	1.12 kW 110V / 220V 50 / 60 Hz	10,000	2 Position / 2 Way	Hold /Retract	8,200	7,400	840	750
EP211SS*												
EP211D	Double	2860 / 3450	11,000	9,500	Single Phase	10,000	3 Position / 4 Way	Adv./Hold /Retract	8,200	7,400	840	750
EP211DS*												

Model No.	A (mm)	B (mm)	C (mm)	D (mm)	E (mm)	F (mm)	G (mm)	H	J (mm)	Weight (kg)
EP211 Series	559	176	515.5	300	391.5	224.4	180	3/8"-NPT	515.5	40

\* Solenoid Valve version.

\*\* The weight is excluding the hydraulic oil.

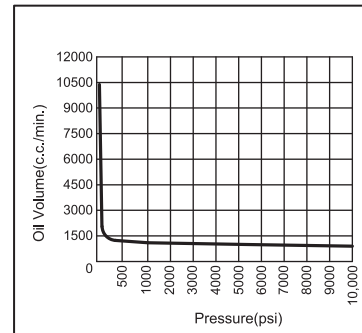
## MODEL: EP320 SERIES

ELECTRIC PUMPS, 1.48KW, 20 LITER  
700 BAR/10,000psi



EP320D

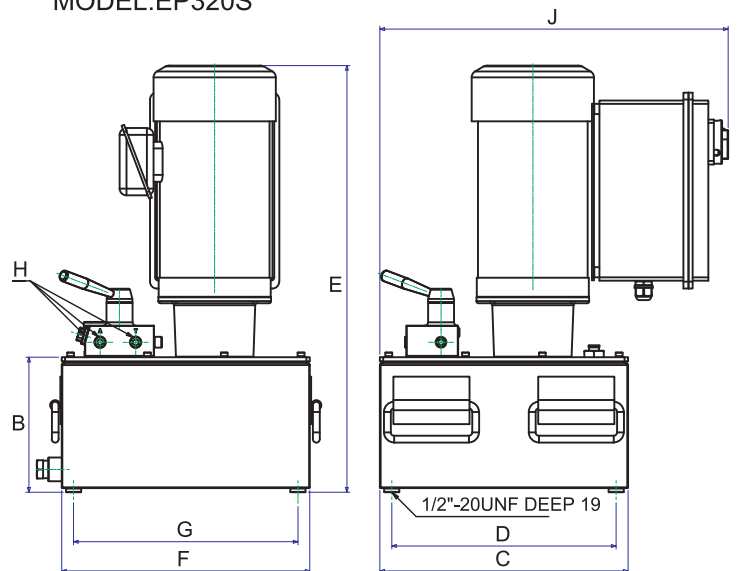
EP320



### FEATURES

- Original pumps are built with 1.48KW, 220/380V, 50/60Hz, 3 phases universal brushless motor.
- Internal relief valve (700 bars) protects the components and work safety.
- Pumps are included with 24V, 3 meters remote control cord.
- Quiet pumps comply OSHA noise limitation (80dBA at 700bar).
- EP320D specially designed for double-acting cylinders without the need for additional control valve and adapters.
- Internal relief valve limits pressure to 10,000 psi. External relief valve is adjustable from 1,000 to 10,000 psi.
- Conform to CE standards.
- Both models are available with Solenoid Valve version.**

MODEL:EP320S



### SPECIFICATION

Model No.	Acting	RPM 50/60 Hz	Reservoir Capacity (c.c.)	Usable Oil Capacity (c.c.)	Motor	Max. Pressure Output (psi)	Valve		Oil Del.(c.c./min. @)*(60Hz)			
							Type	Function	100(psi)	1000(psi)	5000(psi)	10000(psi)
EP320S	Single	1435 / 1735	20,000	18,000	1.48 kW 220V / 380V	10,000	2 Position / 2 Way	Hold /Retract	9,500	1,020	980	900
EP320SS*												
EP320D	Double	1435 / 1735	20,000	18,000	50 / 60 Hz 3 Phase	10,000	3 Position / 4 Way	Adv./Hold /Retract	9,500	1,020	980	900
EP320DS*												

1.48KW, 220V, 50Hz, Single Phase motor is also available for all models.

Model No.	A (mm)	B (mm)	C (mm)	D (mm)	E (mm)	F (mm)	G (mm)	H	J (mm)	Weight (kg)
EP320 Series	—	198.5	365	330	627.5	365	330	3/8"-NPT	512	56

\* Solenoid Valve version.

\*\* The weight is excluding the hydraulic oil.

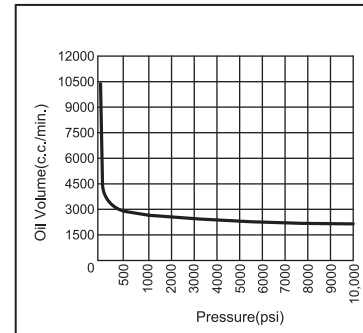
## MODEL: EP420 SERIES

ELECTRIC PUMPS, 2.24KW, 20 LITER  
700 BAR/10,000psi



EP420DS

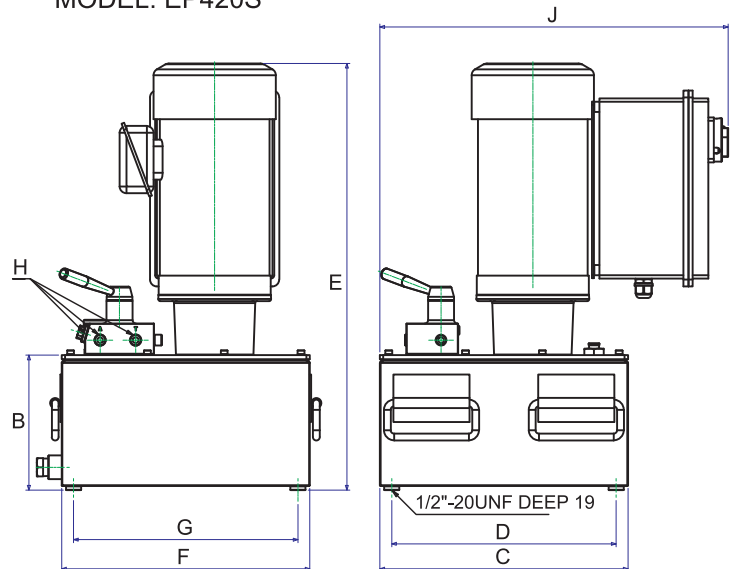
EP420



### FEATURES

- Original pumps are built with 2.24KW, 220/380V, 50/60Hz, 3 phases universal brushless motor.
- Internal relief valve (700 bars) protects the components and work safety.
- Pumps are included with 24V, 3 meters remote control cord.
- Quiet pumps comply OSHA noise limitation (80dBA at 700bar).
- EP420D specially designed for double-acting cylinders without the need for additional control valve and adapters.
- Internal relief valve limits pressure to 10,000 psi. External relief valve is adjustable from 1,000 to 10,000 psi.
- Conform to CE standards.
- Both models are available with Solenoid Valve version.**

MODEL: EP420S



### SPECIFICATION

Model No.	Acting	RPM 50/60 Hz	Reservoir Capacity (c.c.)	Usable Oil Capacity (c.c.)	Motor	Max. Pressure Output (psi)	Valve		Oil Del.(c.c./min.@)*(60Hz)			
							Type	Function	100(psi)	1000(psi)	5000(psi)	10000(psi)
EP420S	Single	1435 / 1735	20,000	18,000	2.24 kW 220V / 380V	10,000	2 Position / 2 Way	Hold /Retract	9,500	2,450	1,950	1,800
EP420SS*												
EP420D	Double	1435 / 1735	20,000	18,000	50/60 Hz 3 Phase	10,000	3 Position / 4 Way	Adv./Hold /Retract	9,500	2,450	1,950	1,800
EP420DS*												

Model No.	A (mm)	B (mm)	C (mm)	D (mm)	E (mm)	F (mm)	G (mm)	H	J (mm)	Weight (kg)
EP420 Series	—	198.5	365	330	627.5	365	330	3/8"-NPT	512	65

\* Solenoid Valve version.

\*\* The weight is excluding the hydraulic oil.

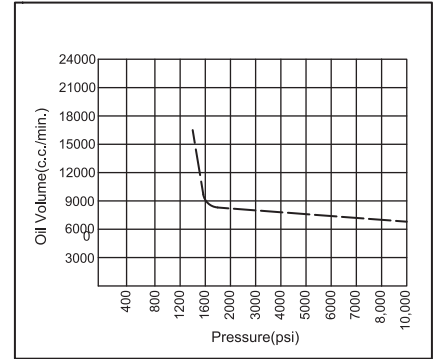


**MODEL: EP5100**

USABLE OIL CAP. :80L

OIL CAPACITY: 100L

EP5100

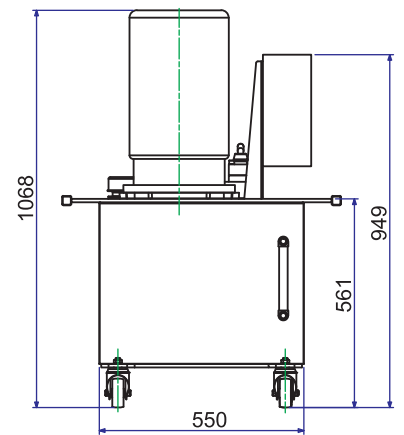
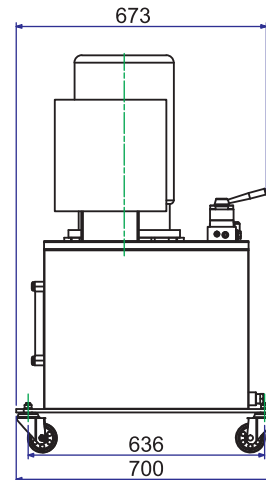
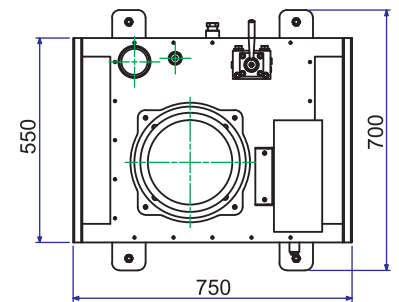


EP5100DS

EP5100D

**FEATURES**

- Dual-speed high output pump delivers up to 16 l/min of oil.
- Low noise level of 73 - 80 dBA.
- Pump prewired at factory with 7.46kW, 380V, 50 Hz, 3 phase universal brushless motor.
- 24 volt control circuits on units with remote controls for user/operator safety.
- 3 phase motor with thermal overload protection and has all the electric components necessary to operate the pump.
- Power switch are 24 volts. EP5100D has a 4-way/3-position manual valve. EP5100DS has a 4-way/3-position solenoid valve with a 24 volt remote switch.
- 100L ( 80L usable ) reservoir has a low oil level sight gauge.



**SPECIFICATION**

Model No.	RPM	Reservoir Capacity (liter)	Usable Oil Capacity (liter)	Motor	Max. Pressure Output (psi)	Amp Draw @10,000psi	Valve		Oil Del. (liter/ min. @)*			
							Type	Function	220(psi)	1300(psi)	5000(psi)	10000(psi)
EP5100D	1437	100	80	7.46kW/ 380V 50 Hz / 3 phase	10,000	6	3 Position / 4 Way	Adv./Hold /Retract	16	14	6	5.6
EP5100DS												

Model No.	A (mm)	B (mm)	C (mm)	D (mm)	E (mm)	F (mm)	Weight* (kg)
EP5100 series	1069	561	550	700	636	750	240

\* The weight is excluding the hydraulic oil.