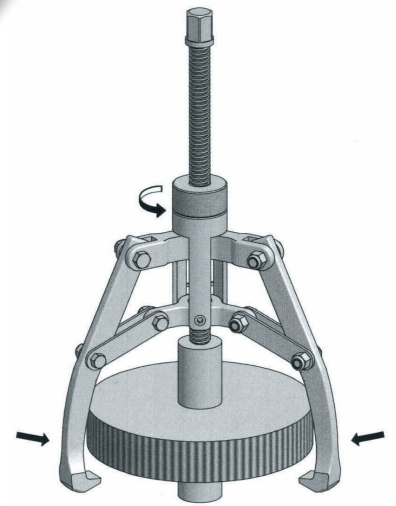


MECHANICAL EASY PULLERS (2,3 WAY)



SIMPLE AND EASY PULLING JOB

The most simple and efficient design, the screw-Operated jaws bring the users to position the puller on the part quickly and precisely with one person operating only.

USER-FRIENDLY

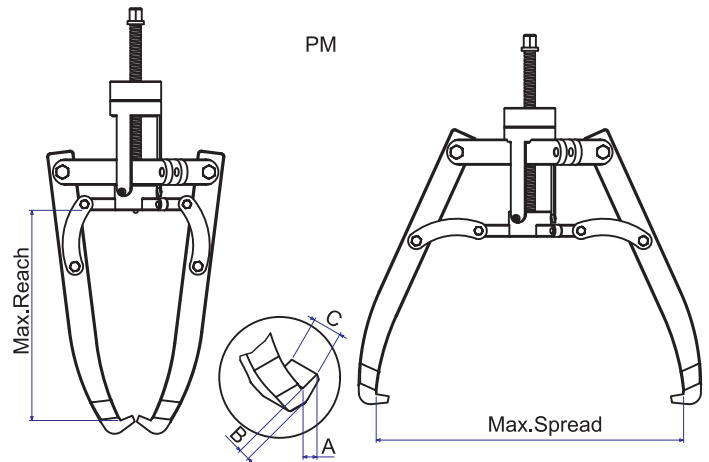
- 3 or 2 fixed jaws for easy positioning and self-centering.
- Available in six sizes with a maximum pulling force from 2 Ton to 10 Ton.

SAFE

- Self-centering function prevents the damage to the shaft and work piece being pulled.

SAVING COST

- Easy operating by one person which save time and work efficiently
- The first 2 or 3 way mechanical puller in the world, also a good choice to save cost by one price for two pullers.



SPECIFICATIONS

Capacity	Model No.	Jaws	Reach (Max. mm)	Spread (Max. mm)	Shaft Dim.	Jaw Tip (mm)			Weight (kg)
						A	B	C	
2 Ton	PM50	3	80	120	Ø5/8"x8T	8	6	15	1.3
2 Ton	PM52	2	80	120	Ø5/8"x8T	8	6	15	0.9
5 Ton	PM100	3	160	250	Ø3/4"x8T	11	10	25	3.7
5 Ton	PM102	2	160	250	Ø3/4"x8T	11	10	25	3.1
10 Ton	PM150	3	230	380	Ø7/8"x6T	14	10	29	8.8
10 Ton	PM152	2	230	380	Ø7/8"x6T	14	10	29	6.7

Patented in USA, Germany, S. Korea, Taiwan, P.R.C.....etc.



SIMPLE AND EASY PULLING JOB

The most simple and efficient design, Screw-Operated Jaws bring the users to position the puller on the part quickly and correctly with just one person operating only.

USER-FRIENDLY

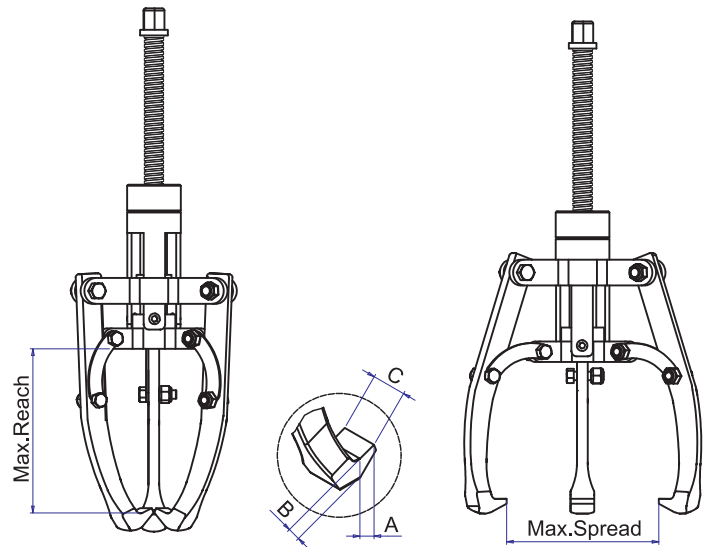
- 3 and/or 2 fixed jaws for easy positioning and self-centering.
- Available in six sizes with a maximum pulling force from 2 Tons to 12 Tons.

SAFE

- Self-positioning centring prevent the damage to the shaft as well.

SAVING COST

- Conveniently positioning, efficiently pulling help to save manpower and operating time.
- The first 2 / 3 way manual easy puller in the world which brings users the two options in one model as the best choice to save the cost.



SPECIFICATIONS

Capacity	Model No.	Reach (Max. mm)	Spread (Max. mm)	Shaft Dimension		Jaw Tip (mm)			Weight (kg)
				Thread	Length (mm)	A	B	C	
2 Ton	PM55	80	120	Ø5/8"x11T	24	8	6	15	1.6
3 Ton	PM85	120	140	Ø5/8"x11T	28	6	7	15	2.3
5 Ton	PM105	160	270	Ø3/4"x10T	34	11	10	25	4.3
8 Ton	PM125	210	300	Ø3/4"x10T	39	13	14	27	6.1
10 Ton	PM155	250	380	Ø7/8"x14T	47	14	10	29	9.6
12 Ton	PM175	250	440	Ø7/8"x14T	47	14	10	29	11.2

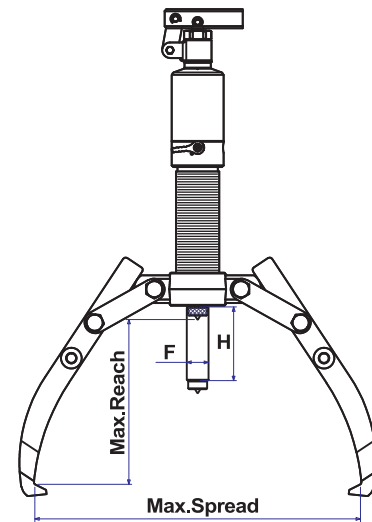
Patented in USA, Germany, S. Korea, Taiwan, P.R.C.....etc.

MODEL:PM SERIES



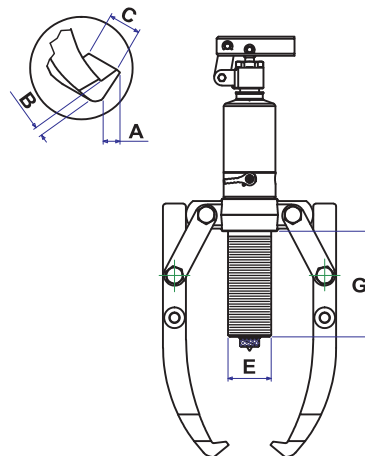
FEATURES

- Exchangeable 2 or 3 arm combination puller is very practical and economical.
- 360° Rotary Socket.
- Self-contained hydraulic pump and puller body with integral safety valve.
- Spring loaded live centering nut for easy job (removable).
- Four stages of foldable & removable handle saves the handle force during operation.
- Patented design of two stages stroking for PM2000 & PM3000, the first stage being as fast stroking for quickly connecting with object, and the second stage being as high hydraulic output for pulling job.
- The extension rods can be used for extra reach when necessary.



ACCESSORIES

Model No.	Part No.	Length of Long Arm (mm)	Max. Reach	Max. Spread
PM400	C0948	295	222	300
PM600	C0949	335	260	363
PM800	C0950	395	308	445
PM1200	C0951	435	340	420
PM2000	C0960	555	428	540
PM3000	C0961	555	428	620

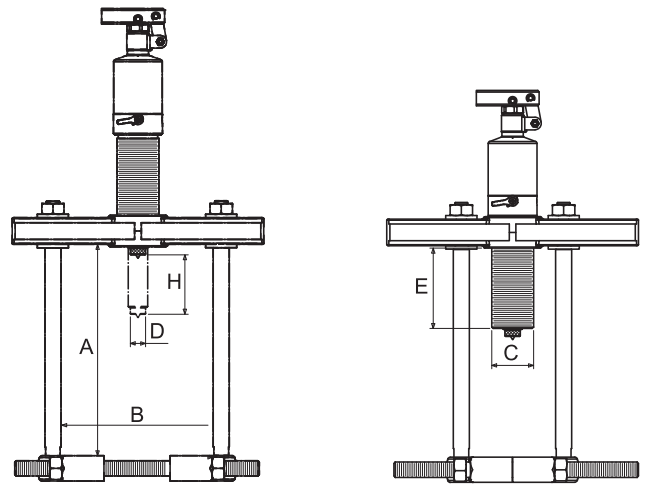


SPECIFICATIONS

Capacity	Model No.	Reach (Max. mm)	Spread (Max. mm)	Stroke (mm)	Pump Tip (mm)			Jaw Tip (mm)			Weight (kg)
					H	E	F	G	A	B	
4 Ton	PM400	185	255	60	42	22	84	11	6	22	8.3
6 Ton	PM600	220	330	70	45	23	94	13	10	22	8.5
8 Ton	PM800	230	350	85	50	25	122	11	10	25	12.0
12 Ton	PM1200	270	375	85	60	28	118	14	10	29	17.2
20 Ton	PM2000	360	520	111	80	40	160	20	27	33	38.2
30 Ton	PM3000	360	550	111	98	50	155	20	27	38	50.6

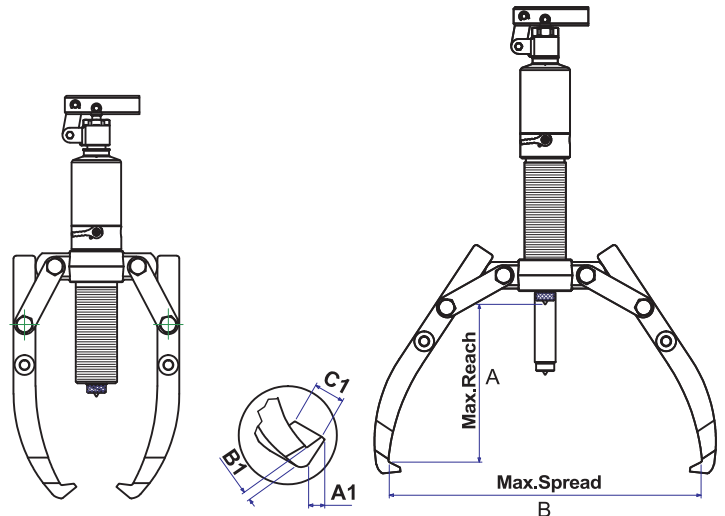


■ One completed set (4 ~ 8 Ton) with two kinds of puller for user's convenience.



FEATURES

- Four stages of foldable & removable handle saves the handle force during operation.
- 360° Rotary Socket.
- Self-contained hydraulic pump and puller body with integral safety valve.
- Spring loaded live centering nut for easy job (removable).
- 2 jaws puller cross head with manganous-phosphate plated for rust proof and durability.
- Package including puller body, jaw assembly, cross bearing, extension bar and blow molded case for practical and safe works.



SPECIFICATIONS

Capacity	Model No.	Reach (Max. mm)		Spread (Max. mm)		Stroke (mm)	Pump Tip (mm)			Jaw Tip (mm)			Weight (kg)
		A	B	H	C		D	E	A1	B1	C1		
4 Ton	PM420	185/224	255/145	60	42	22	84	11	6	22	12.4		
6 Ton	PM620	220/255	330/220	70	45	23	90	13	10	22	17.0		
8 Ton	PM820	230/255	350/230	85	50	25	122	11	10	25	20.0		
12 Ton	PM1220	270/298	375/310	85	60	28	115	14	10	29	17.2 / 20.6 (puller / acc.set)		

SEPARATE HYDRAULIC PULLERS

MODEL:PR SERIES



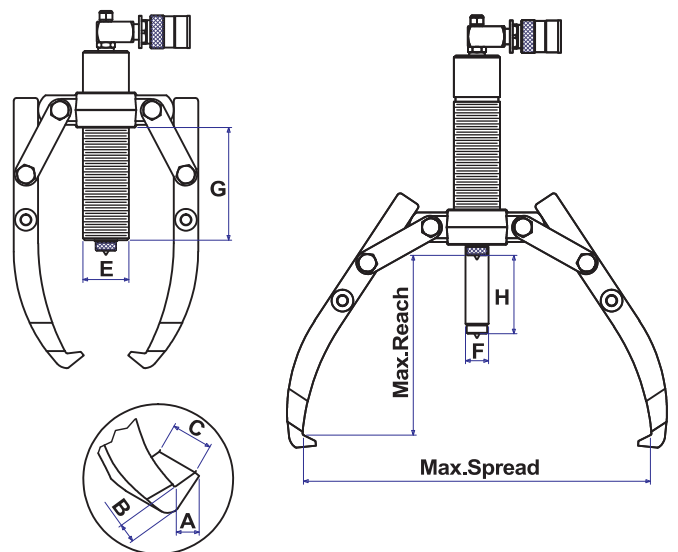
FEATURES

- Heat treated & chrome plated hydraulic cylinder rod provides linear force.
- Easily release valve.
- Spring loaded live centering nut for easy job (removable).
- 2/3 jaws combination puller cross head with manganous-phosphate plated for rust proof and durability.
- Heat treated forged alloy steel cross bolts & jaws with manganous-phosphate plated for rust proof and long life service.
- Suggested Hand Pumps:
4 ~ 12 Ton: PB600BG or AHP701BG
20 ~ 30 Ton: PB700BG or AHP702BG



ACCESSORIES

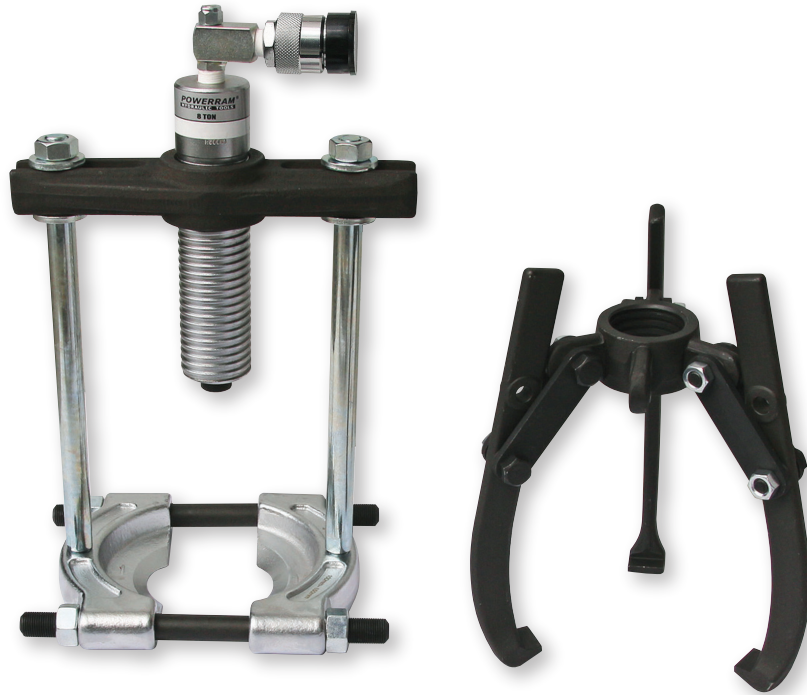
Model No.	Part No.	Length of Long Arm (mm)	Max. Reach	Max. Spread
PR400	C0948	295	222	300
PR800	C0950	395	308	445
PR1200	C0951	435	340	420
PR2000	C0960	555	428	540
PR3000	C0961	555	428	620



SPECIFICATIONS

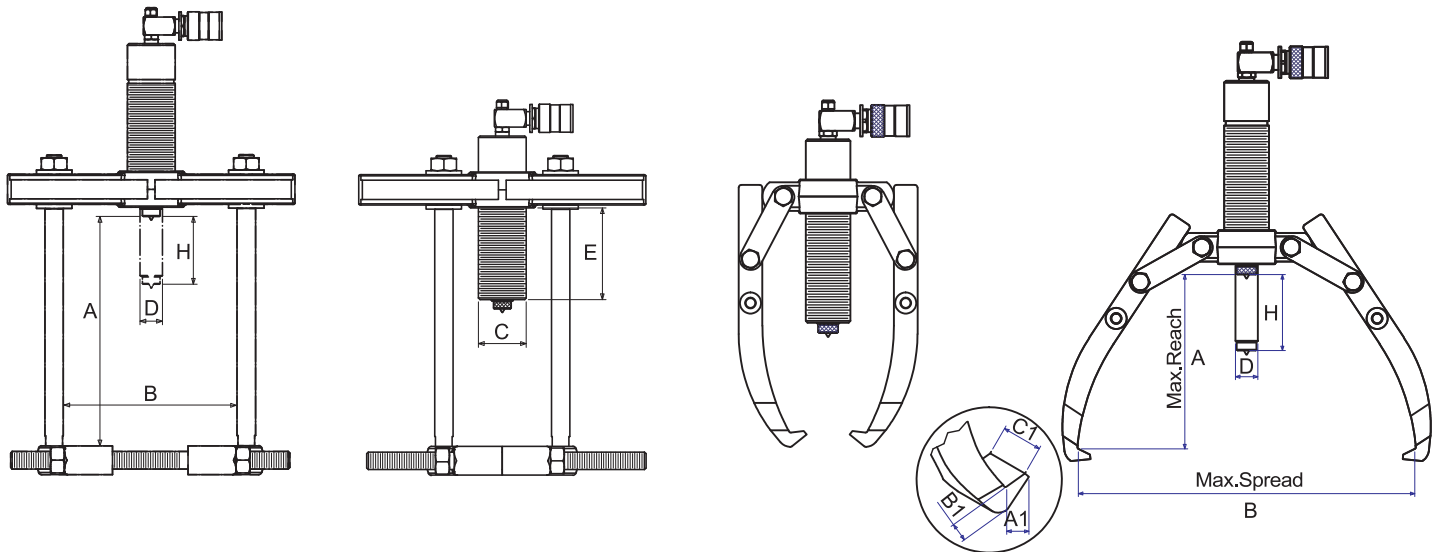
Capacity	Model No.	Reach (Max. mm)	Spread (Max. mm)	Stroke (mm)	Pump Tip (mm)			Jaw Tip (mm)			Weight (kg)
				H	E	F	G	A	B	C	
4 Ton	PR400	185	255	60	42	22	84	11	6	22	8.0
8 Ton	PR800	230	350	85	50	25	122	11	10	25	12.0
12 Ton	PR1200	270	375	85	60	28	118	14	10	29	12.7
20 Ton	PR2000	360	520	111	80	40	161	20	27	33	39.3
30 Ton	PR3000	360	550	111	98	50	155	20	27	38	51.5

MODEL: PR420 - PR1220



FEATURES

- Heat treated & chrome plated hydraulic cylinder rod provides linear force.
- Easily release valve.
- Spring loaded live centering nut for easy job (removable).
- 2 jaws puller cross head with manganous-phosphoate plated for rust proof and durability.
- Heat treated, chrome plated & alloy steel stud for rust proof and free reach.
- Package including puller body, jaw assembly, cross bearing, extension bar and blow molded case for practical and safe works.
- Suggested Hand Pumps:
 4 ~ 12 Ton: PB600BG or AHP701BG
 20 ~ 30 Ton: PB700BG or AHP702BG



SPECIFICATIONS

Capacity	Model No.	Reach (Max. mm)		Stroke (mm)	Pump Tip (mm)			Jaw Tip (mm)			Weight (kg)
		A	B		C	D	E	A1	B1	C1	
4 Ton	PR420	185/224	255/145	60	42	22	84	11	6	22	10.8
8 Ton	PR820	230/255	350/230	85	50	25	122	11	10	25	17.9
12 Ton	PR1220	270/298	375/310	85	60	28	115	14	10	29	12.7 / 21.3

HYDRAULIC EASY PULLERS

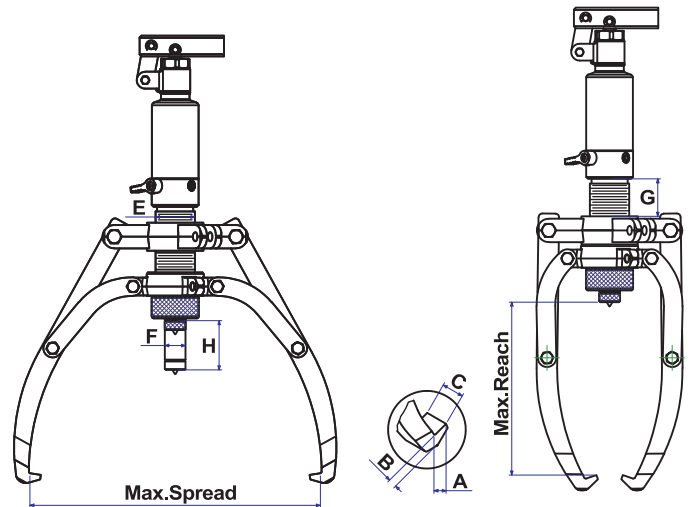
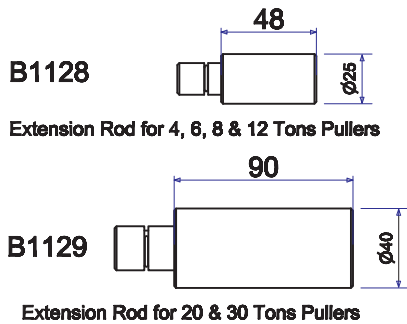
The first 2/3 way Hydraulic Easy Puller in the world !



FEATURES

- Self-centering and fast-acting jaws are absolutely user-friendly for operating.
- 360° Rotary socket can be operated in all direction.
- The extension rods can be used for extra reach when necessary.
- The self-contained hydraulic pump provide easy job without the necessary of additional cylinder, pump & hose.
- The integral safety valve can prevent the puller being overloaded.
- The convertible 2 / 3 way hydraulic easy puller provide the best and cost saving choice for the users.

Puller Assembled Package



SPECIFICATIONS

Capacity	Model No.	Max. Spread (mm)	Min. Reach (mm)	Min. Spread (mm)	Max. Reach (mm)	Stroke (mm)				Pump Tip (mm)			Jaw Tip (mm)			Weight (kg)
						H	E	F	G	A	B	C				
4 Ton	PME400	315	150	83	190	60	42	22	40	13	10	22	9.3			
6 Ton	PME600	390	185	90	230	70	45	23	50	13	10	22	9.8			
8 Ton	PME800	460	225	110	280	85	50	25	70	13	13	27.5	15.3			
12 Ton	PME1200	515	240	120	300	85	60	28	70	15	16.5	29	18.4			
20 Ton	PME2000	520	250	160	325	111	80	40	62	18	20	33	46.0			
30 Ton	PME3000	620	330	190	415	111	98	50	85	18	20	38	61.8			

Patented in USA, Germany, Taiwan, P.R.C.....etc.

SEPARATE HYDRAULIC EASY PULLERS

MODEL:PRE SERIES



PRE800



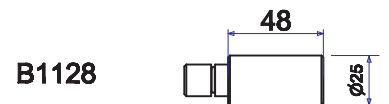
PRE1200



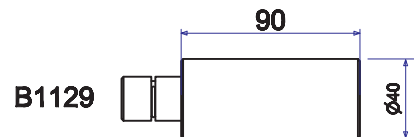
PRE2000

FEATURES

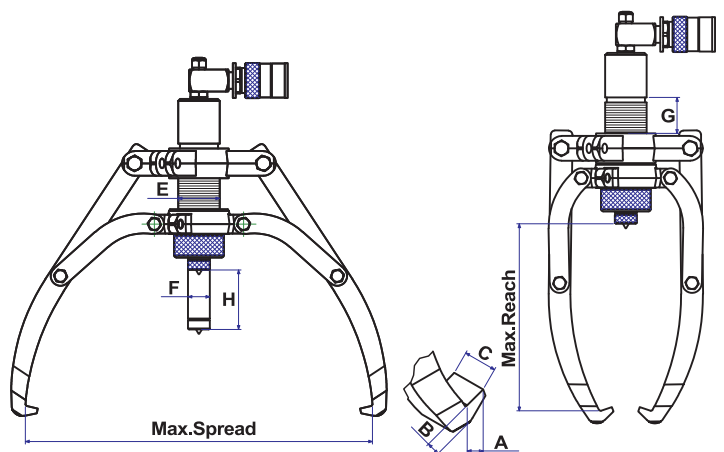
- Self-centering and fast-acting jaws are absolutely user-friendly for operating.
- 360° Rotary socket can be operated in all direction.
- The extension rods can be used for extra reach when necessary.
- The integral safety valve can prevent the puller being overloaded.
- The convertible 2 / 3 way hydraulic easy puller provide the best and cost saving choice for the users.
- Suggested Hand Pumps:
4 ~ 12 Ton: PB600BG or AHP701BG
20 ~ 30 Ton: PB700BG or AHP702BG



B1128
Extension Rod for 4, 6, 8 & 12 Tons Pullers



B1129
Extension Rod for 20 & 30 Tons Pullers



SPECIFICATIONS

Capacity	Model No.	Max. Spread (mm)	Min. Reach (mm)	Min. Spread (mm)	Max. Reach (mm)	Stroke (mm)				Pump Tip (mm)			Jaw Tip (mm)			Weight (kg)
						H	E	F	G	A	B	C				
4 Ton	PRE400	315	150	83	190	60	42	22	40	13	10	22	7.4			
8 Ton	PRE800	460	225	110	280	85	50	25	70	13	13	27.5	14.0			
12 Ton	PRE1200	515	240	120	300	85	60	28	70	15	16.5	29	17.0			
20 Ton	PRE2000	520	250	160	325	111	80	40	62	20	27	33	36.7			
30 Ton	PRE3000	620	330	190	415	111	98	50	85	20	27	38	56.5			

Patented in USA, Germany, Taiwan, P.R.C.....etc.

PUSH PULLER / THREE-IN-ONE

POWERRAM
HYDRAULIC TOOLS

The first Three-in-one push puller in the world !



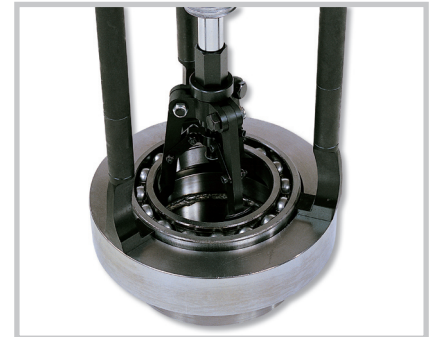
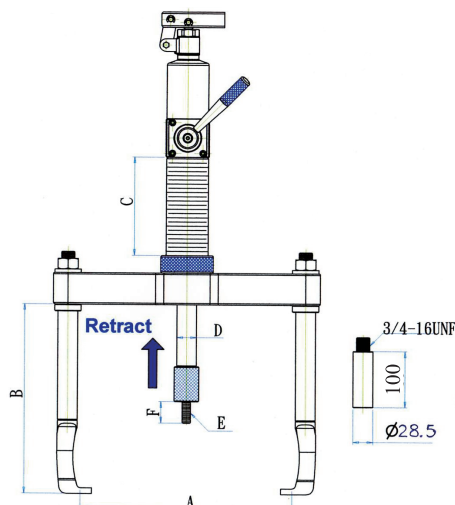
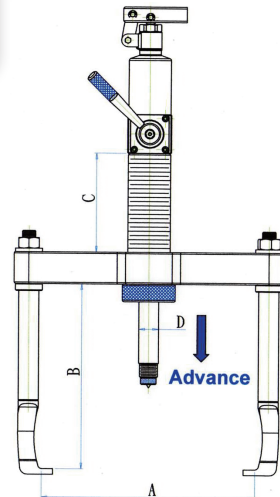
PD12080

SIMPLE, EASY

The patented unique design provides the users to get the three-in-one tool for installing, outer pulling and inner pulling with the great convenience and safety.

The push puller is specially designed for having combined works on pushing and pulling. This creates one tool to provide the both of most even force for pushing and pulling with great convenience.

The pushing jaw heads on the inner ring of the bearing which prevents the force and/or heat from being transmitted through the outer ring and the rolling parts, minimizing the risk of bearing damaged.



INNER PULLING



PUSHING



OUTER PULLING



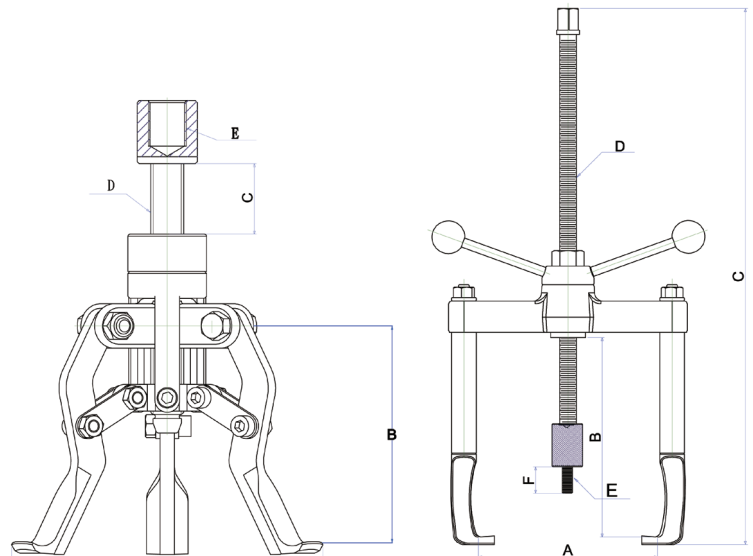
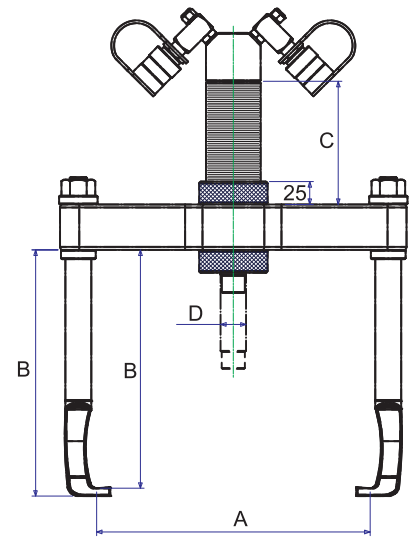
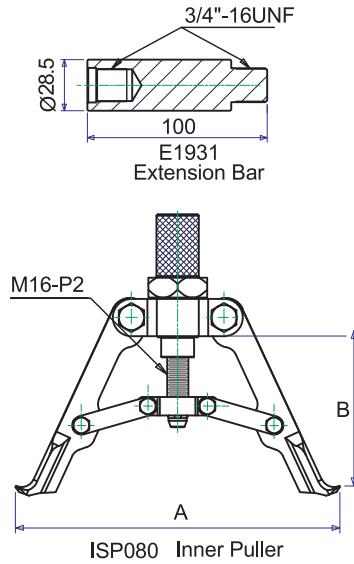
MD6203

PUSH PULLER / THREE-IN-ONE

The first Three-in-one push puller in the world !



PDR12080



USER-FRIENDLY

- Unique & Patented double action pump body to provide the pushing and pulling force.
- Unique jaw design for installing and outer pulling without removing and changing.
- Three jaw structure provides the even and constant force whenever for installing, outer pulling and inner pulling.
- The extension bars can be used where necessary for reach.
- Self-centering design on inner puller provides the even force and prevent the jaws from sliding off during operating.

SAFE

- The built-in safety valve prevents the user being harmed and work object being damaged by rated pressure which can not be reset or adjusted.
- Most parts are forged SCM440 alloy steel, creating a durable and safe product.

COST SAVING

- The Three-in-One design reduces tool-reset time and duration of operation.
- This push puller is ideal for installing and dismantling a wide variety of press-fit parts, including bushings, wheels, bearings, gears and pulleys.

SPECIFICATIONS

Model No.	Operation	Output (Tons)	A (mm)	B (mm)	C (mm)	D (mm)	E (mm)	F (mm)	Weight (kgs)
PD12080	Installing	8	44-280	270	135	28	M12-P1.75	34	36
	Outer Pulling	12	85-300	260	135	28	---	---	---
	Inner Pulling	8	90-245	130-150	---	---	1"-12UNF	---	---
PDR12080	Installing	8	44-280	270	135	28	M12-P1.75	34	34
	Outer Pulling	12	85-300	260	135	28	---	---	---
	Inner Pulling	8	90-245	130-150	---	---	1"-12UNF	---	---
MD6203	Installing	8	70-206	240	720	3/4"-10UNC	M12-P1.75	34	12
	Outer Pulling	8	29-186	230	720	3/4"-10UNC	---	---	---
	Inner Pulling	8	52-150	130-150	34	5/8"-11UNC	3/4"-10UNC	---	---

Hand pumps suggested for PDR12080: AHP703D or P550D.

TRI-SECTION PLATES



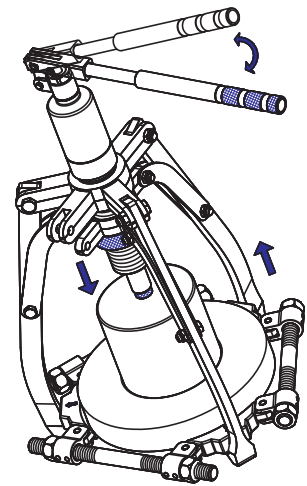
Spreading - Rear Side



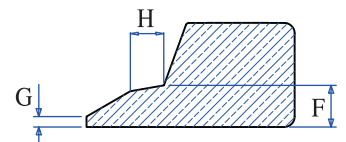
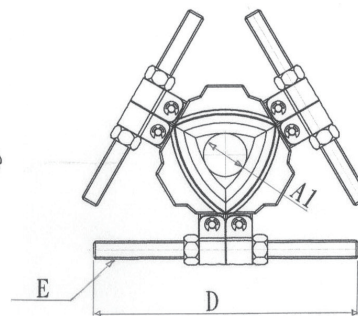
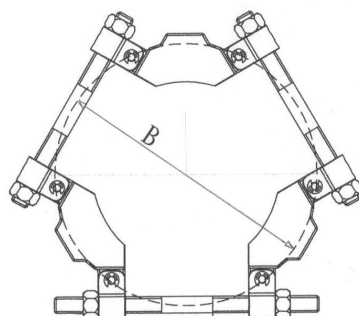
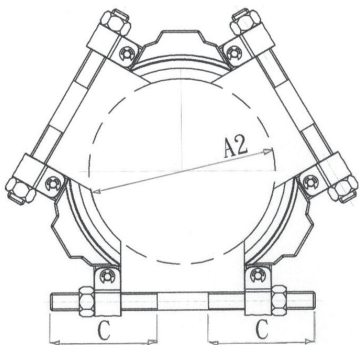
Spreading - Front Side

USER-FRIENDLY & SAFE

- Unique & patented swivel design creates the max. spread.
- The tri-section construction provides the even force distribution, preventing bearing from locking and/or tilting on the shaft during dismantling.
- Suitable for combination usage with all three-armed hydraulic pullers.
- Available in a wide range, covering the most common shaft sizes.
- The firm grip behind inner and outer rings of bearing ensures the pulling force being transmitted through the moving parts and preventing the damaging of bearing.



Easy Operating



SPECIFICATIONS (mm)

Model No.	Available Shaft Dia.		Spread B (Max.)	C	D	E	F	G	H	Capacity (Ton)	Weight (kg)
	A1	A2									
ET3-160	26	160	216	105	240	5/8"-11UNC	8	2	6.5	6	3.5
ET3-210	50	210	280	117	285	7/8"-14UNF	10	2	9	8	5.5
ET3-340	90	340	460	175	430	1 1/4"-12UNF	14	2	8	20	18
ET3-495	140	495	660	235	610	1 3/4"-12UNF	20	2	12	30	45

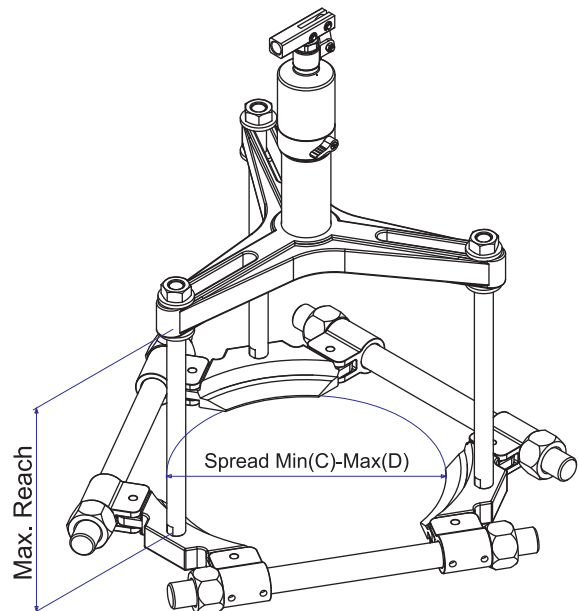
TRI-SECTION PULLERS



Steel Case - Package

FEATURES

- The set including Tri-section plate for convenient and safe pulling job.
- Wedge-shaped edge allows removal of the most hard-to-grip components.
- The firm grip behind bearing's inner & outer rings ensures the pulling force not to be transmitted through the rolling parts.
- The tri-section plates design creates the most even force distribution and the maximizing spread.



SPECIFICATIONS

Capacity	Model No.	Reach (Max. mm)	Spread (mm)		Pump Body Model No.	Overall Width (mm)	Weight (kg)
			C (Min.)	D (Max.)			
4 Ton	P3412	211	30	160	PM401	240	19
6 Ton	P3612	243	50	210	PM601	285	29
8 Ton	P3812	243	50	270	PM801	460	32
12 Ton	P31212	284	90	340	PM1201	660	65

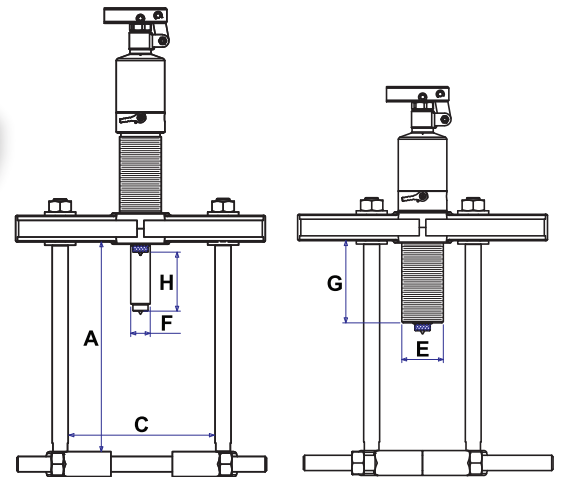
Universal Bearing Attachments

Cross Bearing Pullers



FEATURES

- Forged of high strength steel alloy.
- Heat treated, Chrome plated for rust proof and durable life.
- Wedge-shaped edges allow removal of the most hard-to-grip components.
- Cross bearing pullers are easy to be applied on the most difficult parts for fast and efficient removal.



TECHNICAL DATA - Cross Bearing Pullers

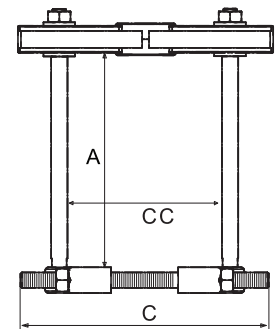
Model No.	Capacity (Ton)	Reach (Max. mm) A	Spread (Max. mm) C	Stroke (mm) H	Pump Tip (mm)		
					E	F	G
PM410	4	224	145	60	42	22	84
PM610	6	255	220	70	45	23	90
PM810	8	255	230	85	50	25	122
PM1210	12	298	310	85	60	28	115

* Including the hydraulic pump body and bearing attachment.

TECHNICAL DATA - Accessory Set

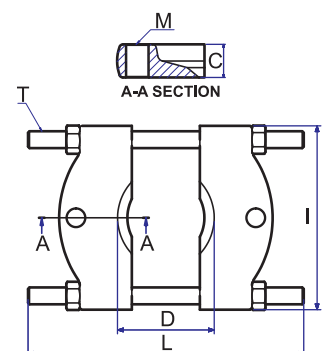
Model No.	Capacity (Ton)	A (mm)	D (mm) Min-Max	C (mm)	CC (mm) Min-Max	Thread (inch)	Bearing Attachment	Weight (kgs)
P412	4	224	12 - 70	163	100 - 145	1/2"- 13UNC	YC9015	6.5
P612	6	255	28 - 150	260	115 - 220	5/8"- 11UNC	YC9025	10.5
P812	8	255	28 - 150	260	110 - 230	5/8"- 11UNC	YC9025	10.5
P1212	12	298	20 - 200	360	140 - 310	3/4"- 10UNC	YC9035	11.5

* Excluding the hydraulic pump body.



TECHNICAL DATA - Bearing Attachments

Model No.	D Min - Max (mm)	C (mm)	L (mm)	I (mm)	ØT (inch)	ØM (inch)	Weight (kgs)
YC9005	5-60	17	120	92	3/8-24UNF	3/8-16UNC	0.7
YC9010	15-60	20	135	130	1/2-20UNF	3/8-16UNC	1.5
YC9015	12-70	27	165	156	5/8-18UNF	1/2-12UNC	2.5
YC9025	28-150	33	275	207	3/4-16UNF	5/8-11UNC	5.5
YC9035	20-200	38.5	350	240	1-14UN	3/4-10UNC	11
YC9035A	20-200	38.5	350	240	1-14UN	1-14UN	11





FEATURES

- Double acting cylinder for holding, opening and closing the jaws for safe and secure grip on job.
- The easy jaw operating system prevent puller jaws from sliding and/or springing off the work object always.
- Self-centering design keeps the arms slide inwards or outwards simultaneously.
- Electric Pump advances and retracts the pushing cylinder only to prevent operating errors from happening.
- 50 Ton Cylinder is single-acting, spring return type with a maximum working pressure of 10,000 psi.
- Electric Hydraulic pump is two stage version ; the low pressure stage provides the fast stroking to save time ; the high pressure stage is controlled by remote hand switch.
- Puller can be adjusted 5 degree vertically.
- The cart has two swivel castors which can provide the movement of cart easily.

- Four extensions are included for the needs on extra stroke.
- PRE50T is designed as the competitive version for costwise option.

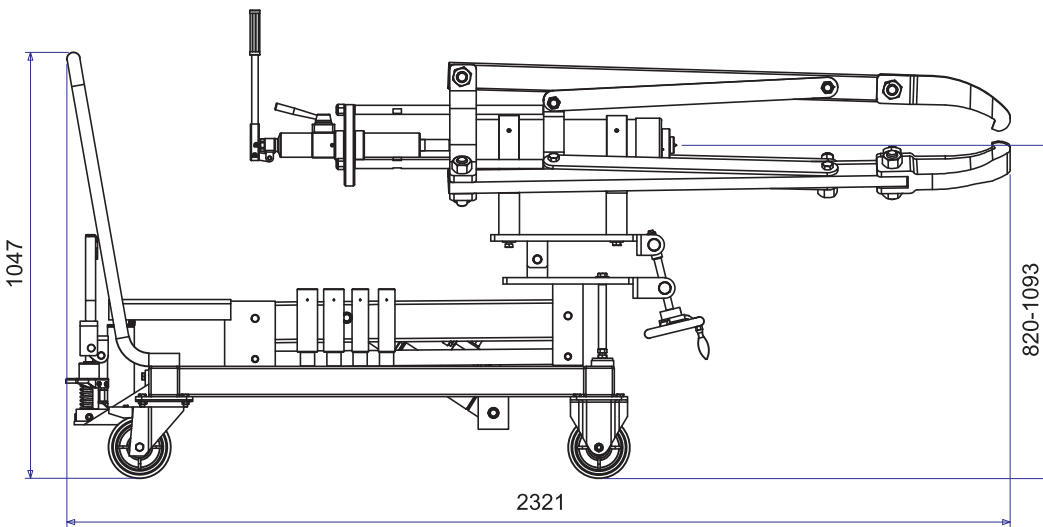
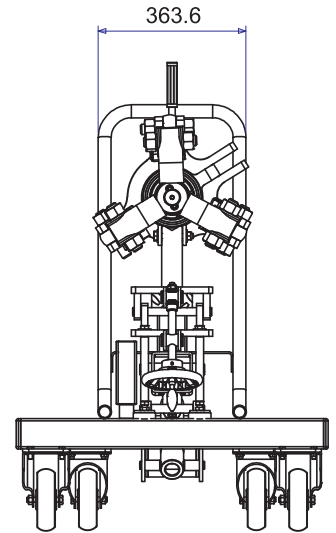
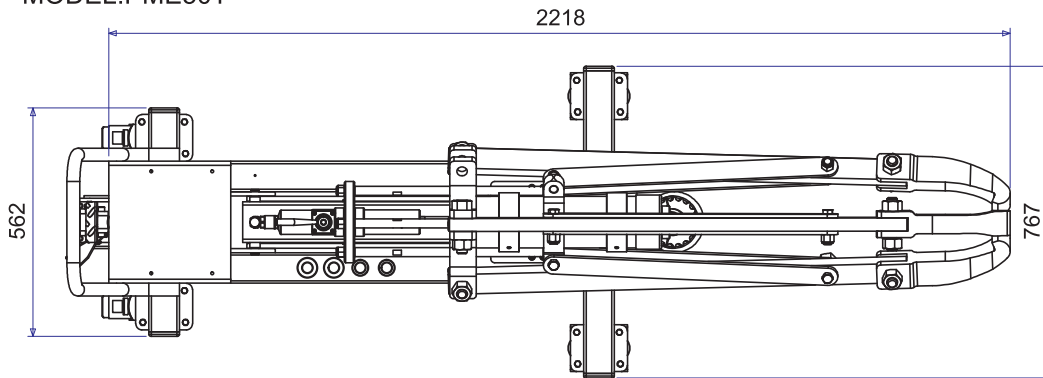
*** This model is patented in Taiwan & Germany, and patent pending in USA & PRC.**

PRE50T
(Short Jaw Model)

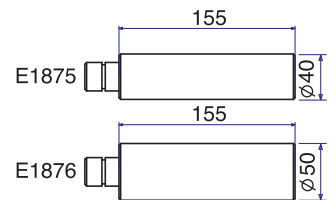


50 TON EASY PULLER

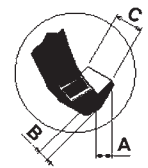
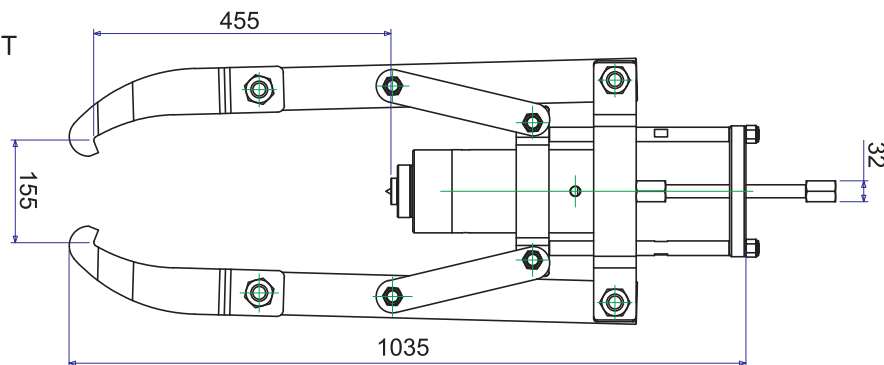
MODEL:PME50T



Extension Rods



MODEL:PRE50T



Jaw Tip

SPECIFICATIONS

Model No.	Reach (Max/mm)	Spread (Min-Max)	Stroke (mm)	Overall Dimensions (mm)	Power Source	Weight (kgs)	Jaw Tip			Extension Rod***	
							A	B	C	E1876	E1875
PME50TE*	780	200-1250	330	2545x800x1155	220V / 50Hz	400				2	2
PME50T	780	200-1250	330	2545x800x1155	---	369	23	35	60	2	2
PRE50T**	455	160-860	159	364x1035	---	140				1	1

* This model is equipped with Electric Pump - EP18S.

** The hand pump is not included in this model, recommend model is AHP703.

*** Quantity of extension rod are included.

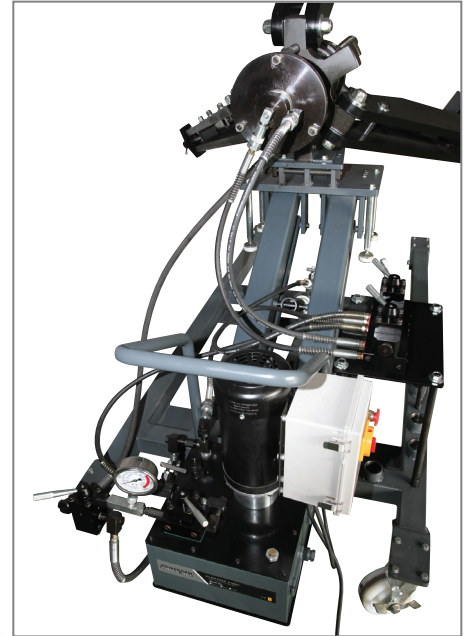
ELECTRIC PUMP - Specification

Model No.	Acting	Reservoir Capacity (c.c.)	Function	Motor	Oil Del. (c.c./min. @)			
					0 psi	100 psi	5000 psi	10000 psi
EP18S	Single	8000	Hold/Retract	0.45KW 220V 50/60 Hz Single Phase	4000	2800	330	280

100 & 150 TON EASY PULLER

POWERRAM
HYDRAULIC TOOLS

**Simple & Easy, User-Friendly,
Safety and Cost Saving - Our Goals Always!**

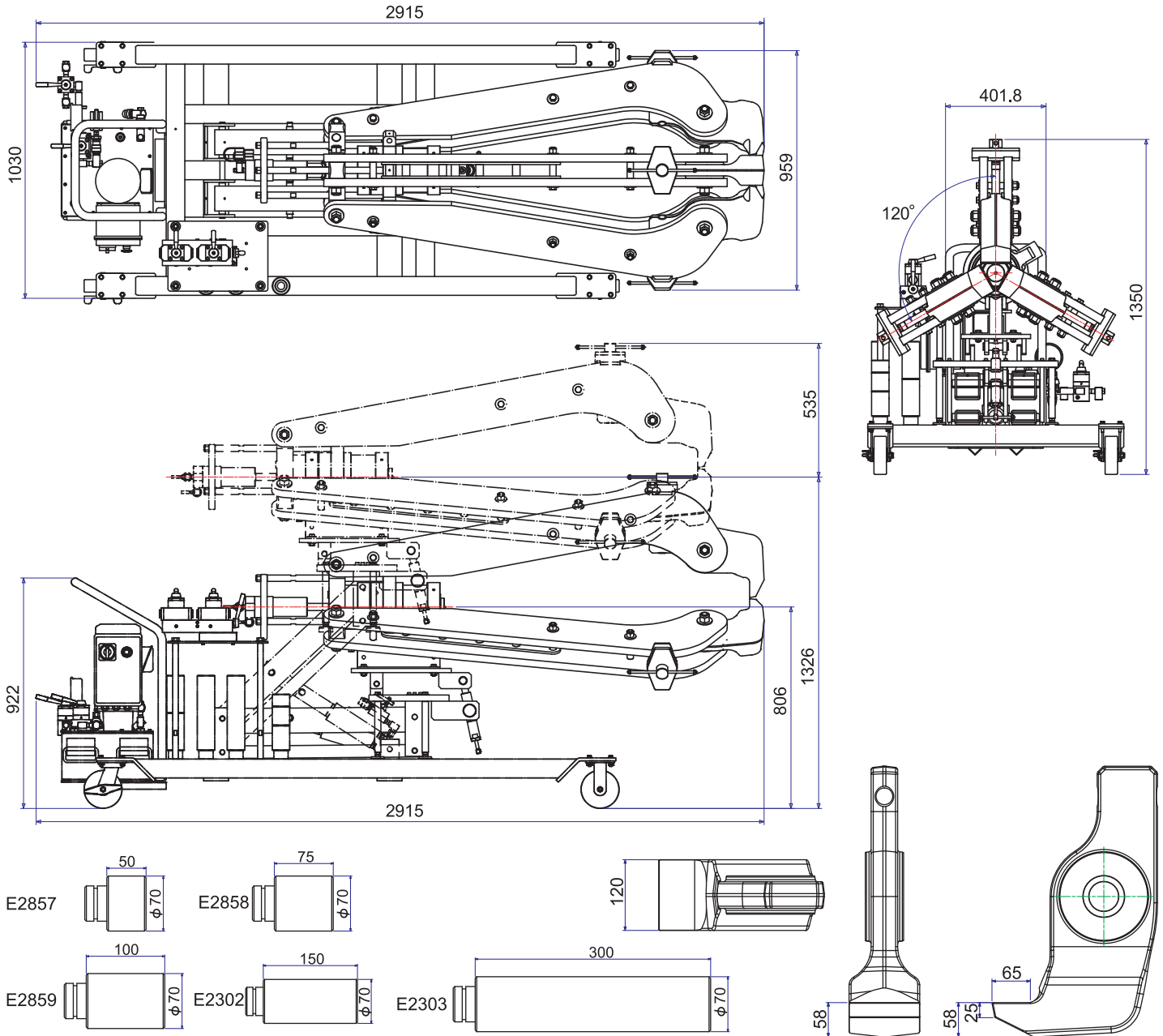


FEATURES

- Double acting hydraulic system for holding, opening & closing jaws for safe & secure grip on work object always.
- Self-centering design keeps puller jaws clamp work object evenly and automatically.
- Electrical Hydraulic Pump advances and retracts the pushing cylinder only to prevent operating errors from happening.
- The easy jaw head adjusting system prevents puller jaws from sliding and spring off the work object being pulled always.
- Puller can be converted into 2 or 3-WAY configurations.
- Puller can be adjusted with 5 degree up/down of puller centerline for precisely positioning.
- The cart swivel castors provide movement of cart easily.
- Electrical Hydraulic Pump is two stage version ; the low pressure stage provides the fast stroking to save time ; the high pressure stage is controlled by remote switch.
- 100 Ton Cylinder is 2-stages, spring return type with a maximum working pressure of 10,000 psi.
- Five extension adapters are standard attachments for the needs on extra stroke.
- **Integrated Control System for operating Lift and Push easily and efficiently by Electric Pump only. (Equipment on requesting)**

*** These models are patented in Taiwan, Germany, USA & PRC.**

100 TON EASY PULLER



EXTENSIONS & JAW TIP

Part No.	Dia. (mm)	Length (mm)	Qty (pc)	Jaw Tip Dimensions (mm)
E2857	70	50	1	Tip Depth: 65 Tip Clearance: 25 - 58 Tip Width: 120
E2858		75	1	
E2859		100	1	
E2302		150	2	
E2303		300	2	

SPECIFICATIONS

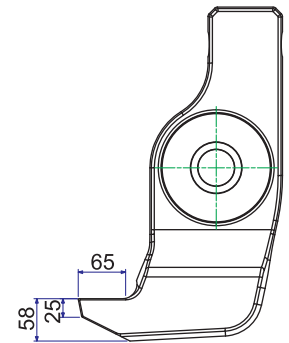
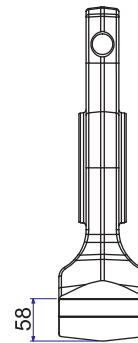
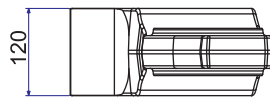
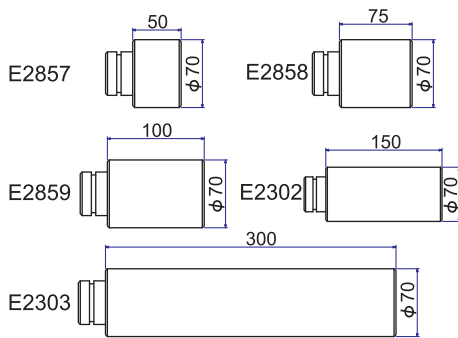
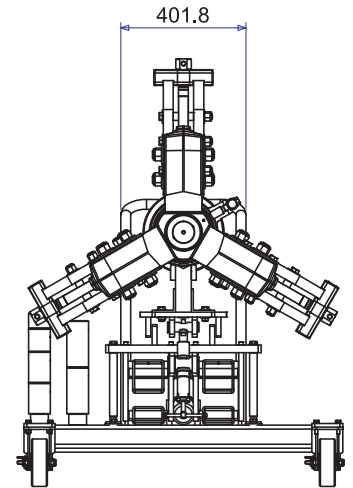
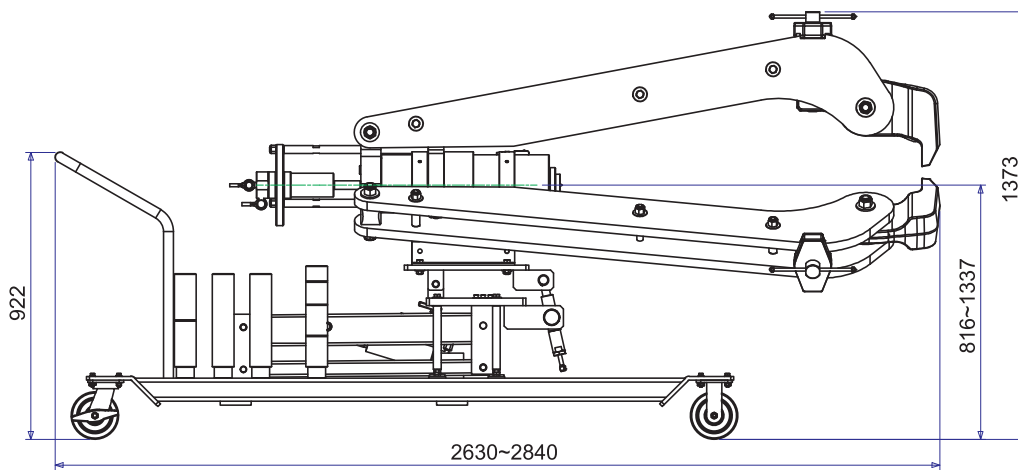
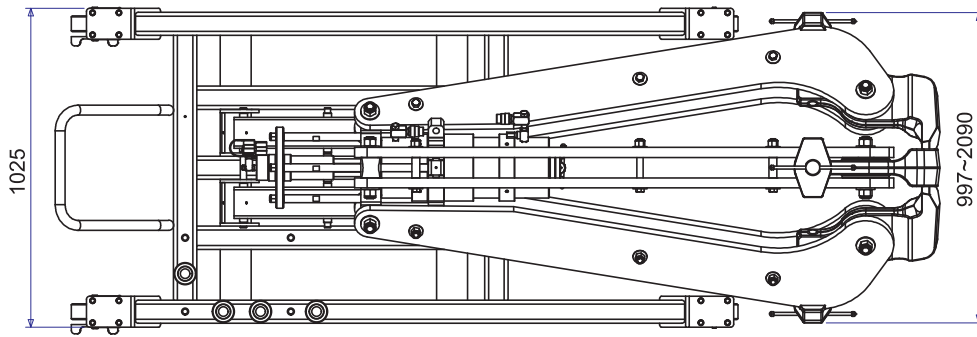
Model No.	Reach (Min-Max)	Spread (Min-Max)	Stroke (mm)	Overall Dimensions (mm)	Power Sources	Weight (kgs)
PME100T	952-1220	300-1500	270	2915x1035x1350	---	1083
PME100TE*	952-1220	300-1500	270	2915x1035x1350	---	1189

* This model is equipped with the Electric Pumps according to Customer's requirement.

* ELECTRIC PUMPS:

We suggest two models of EP211 & EP420 as the options.
Please contact with our distributors for further information.

150 TON EASY PULLER



EXTENSIONS & JAW TIP

Part No.	Dia. (mm)	Length (mm)	Qty (pc)	Jaw Tip Dimensions (mm)
E2857	70	50	1	Tip Depth: 65 Tip Clearance: 25 - 58 Tip Width: 120
E2858		75	1	
E2859		100	2	
E2302		150	2	
E2303		300	2	

SPECIFICATIONS

Model No.	Reach (Min-Max)	Spread (Min-Max)	Stroke (mm)	Overall Dimensions (mm)	Power Sources	Weight (kgs)
PME150T	970-1175	300-1650	330	2990x1030x1390	--	1158
PME150TE*	970-1175	300-1650	330	2990x1030x1390	EP420	1223

* This model is equipped with the Electric Pump - EP420 & Control Panel System.

100 Ton Push Puller (Railroad Version)

POWERRAM
HYDRAULIC TOOLS



Accessory Set for Metric & Inch (Class B ~ F)

Accessory Set for Inch (Class G ~ GG)

FEATURES

- Dismantle or Install the tapered roller bearings easily and efficiently.
- Specially designed for the major bearing manufacturers.
- The simple, efficient and easy operation provided with the pulling force - 100 Ton.
- Single Unit with portable design for easy, convenient positioning and saving storage space much.
- The basic equipment in most wheel shops.

Universal railroad axle journal roller bearing push puller

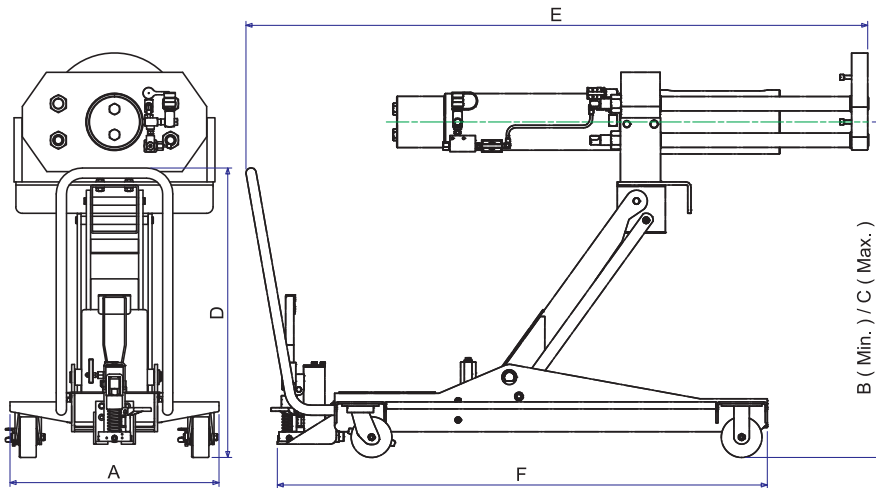
Now, we are available to provide the basic tool in the most wheel shops for dismantling and installing the axle journal roller bearings. With this proper equipment and know-how, you can save the maximum of time and effort on maintenance for sure.

From class B through GG, each unit service a full line of bearings with rotating end caps. Simply remove the end caps, slip the pulling shoe between the bearings and the wheel, start the pump, the bearing being removed within seconds under the pulling force of 100 Ton easily.

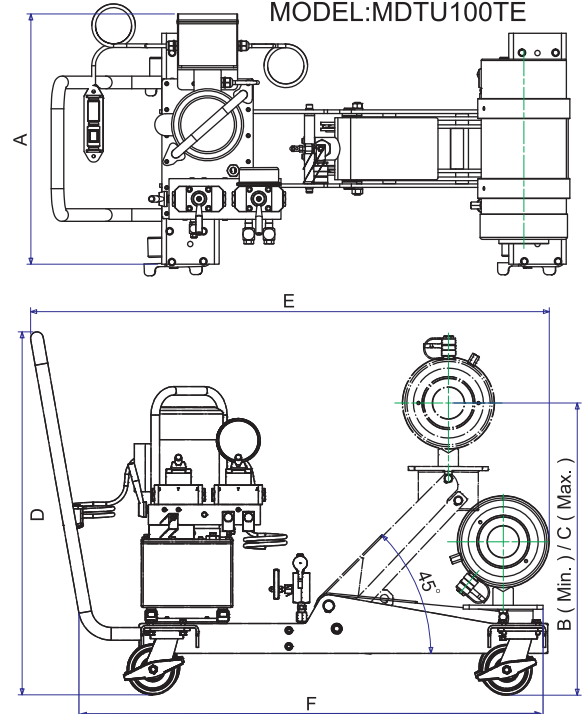
The pulling shoe and installing tube ensure the most convenient and fast installation. 100-ton hydraulic cylinder is working under 10,000 psi always.

100 Ton Push Puller (Railroad Version)

MODEL: BRBP100T



MODEL: MDTU100TE



Accessory Set order information - IMPORTANT...

This accessory chart applies only to AAR configuration for vehicle maintenance applications.

Class & Size of bearing assembly - TBU & SP " Metric Accessories "

Accessory Description	#120	#130	#140	#150
Pulling Shoe Insert Adapter	F0436	F0437	F0438	F0439
Guide Tube & Cap Screw Assembly	E2601	E2602	E2603	E2604
Cap Screw**	H0421	H0421	H0421	H0422
Guide Tube Adapter	B1248	B1248	B1248	B1248
Installing Tube Adapter Ring	D1031	D1032	D1033	D1034

Class & size (inch) of bearing assembly to be serviced

Accessory Description	Class B 4 1/4" x 8"	Class C 5" x 9"	Class D 5 1/2" x 10"	Class E 6" x 11"	Class EE 5 1/2" Axle.	Class EE 6" Axle.	Class F 6 1/2" x 12"	Class G 7" x 12"	Class G 6 1/2" Axle.	Class GG 6 1/2" Axle.
Pulling Shoe	No. F0442 is included as part of basic machine							F0443	F0443	F0443
Pulling Shoe Insert Adapter	F0440	F0437	F0438	F0439	F0439	F0441	F0441	---	---	---
Guide Tube & Cap Screw Assembly	F0435-1	F0435-2	E2605	E2606	E2607	E2608	E2609	E2611	E2610	E2612
Cap Screw**	H0423	H0424	H0425	H0426	H0427	H0425	H0428	H0430	H0429	H0429
Guide Tube Adapter	B1247	B1246	B1246	B1248	B1248	B1248	B1248	B1248	B1248	B1248
Installing Tube	No. D1044 is included as part of basic machine							D1045	D1045	D1045
Installing Tube Adapter Ring	B1243	D1037	D1038	D1039	D1039	D1040	D1040	D1042	D1041	D1041

Note: Adapter listed above are for servicing the following roller bearing assemblies: Brenco " Crown-Taper ", New Departure-Hyatt " HyRoll Taper ", SKF " Expediter " and Timken " AP ".

* Screws are supplied with the guide tube and should be ordered as replacements only.

SPECIFICATIONS

Model No.	Stroke (mm)	Capacity (Ton)		A (mm)	B (mm)	C (mm)	D (mm)	E (mm)	F (mm)	Weight (kg)
		Pull	Inst.							
BRBP100T	392	100	68	652	370	1047	900	1940-2209	1530	590
BRBP100TE*	392	100	68	652	370	1047	900	1940-2209	1530	805
MDTU100TE*	254	100	68	627	384	731	909	1299	1175	410

* This model is equipped with the Electric Pump - EP211D.

ELECTRIC PUMP - Specifications

Model No.	Acting	Reservoir Capacity (c.c.)	Function	Motor	Oil Del. (c.c./min. @)			
					0(psi)	100(psi)	5000(psi)	10000(psi)
EP211D	Double	11000	Adv./Hold /Retract	1.12KW 220V 50/60 Hz Single Phase	8200	7400	840	750