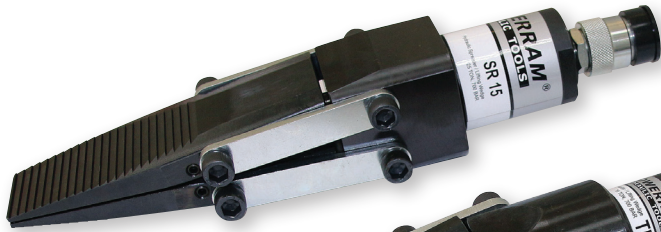
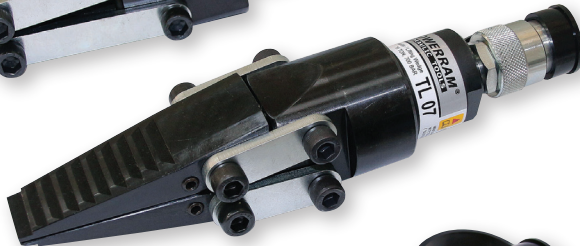


HYDRAULICAL SPREADERS

Loads are lifted perpendicularly!



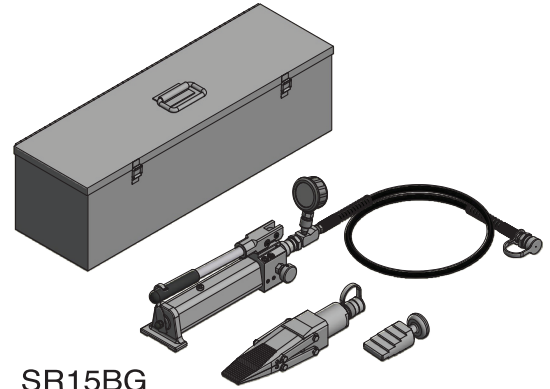
SR15



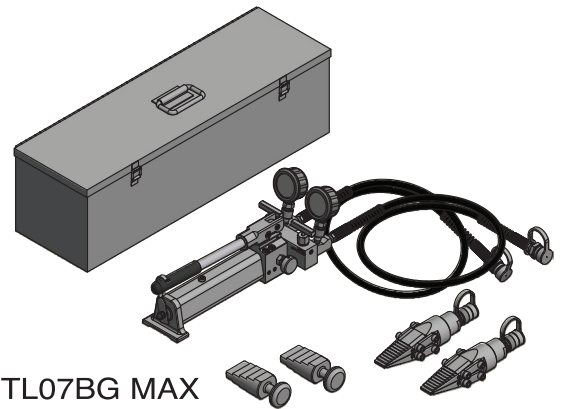
TL07



SR07



SR15BG

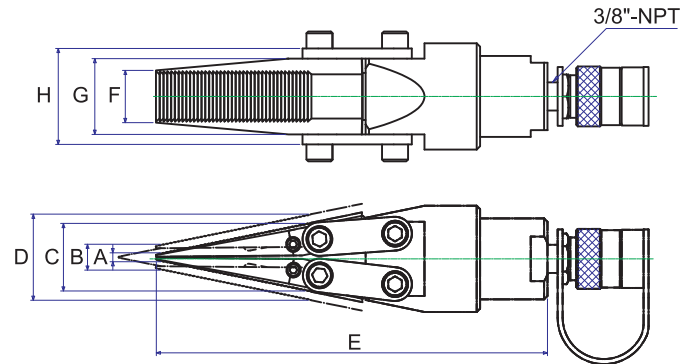


TL07BG MAX

FEATURES

- Ideal for numerous industrial maintenance repair jobs.
- Accurate height adjustments (for instance shaft alignment) can easily be executed by one person.
- Easy, light and very practical to use.
- Particularly suitable when available space is very limited. from 5 to 40 mm.
- Due to the reduced thickness of the jaws, made of high quality hardened steel, these multi-functional wedges can be used for jobs where working space is extremely limited.
- Package models are also available, please contact with the authorized distributors for details.

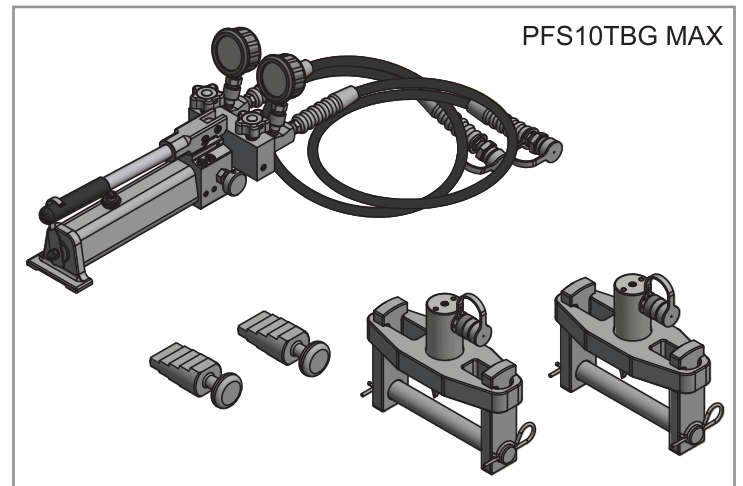
SR07-TL07



SPECIFICATIONS

Model No.	Capacity Tons	Spread (mm)		Stroke (mm)	C (mm)	D (mm)	E (mm)	F (mm)	G (mm)	H (mm)	Weight (kgs)
		Min - A	Max - B								
SR07	15	5	15	25	40	50	232	31	45	57	3.5
SR07BG	15	5	15	25	40	50	232	31	45	57	14.5
SR07BG MAX	15 x 2	5	15	25	40	50	232	31	45	57	27.0
TL07	15	5	15	25	36	46	232	31	45	57	3.5
TL07BG	15	5	15	25	36	46	232	31	45	57	14.5
TL07BG MAX	15 x 2	5	15	25	36	46	232	31	45	57	27.0
SR15	25	7	23	65	42.5	59	342	50.5	70	82	8.0
SR15BG	25	7	23	65	42.5	59	342	50.5	70	82	24.0
SR15BG MAX	25 x 2	7	23	65	42.5	59	342	50.5	70	82	36.0

HYDRAULIC FLANGE SPREADER - PFS10T

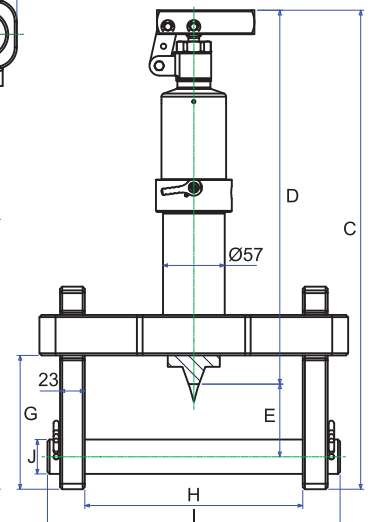
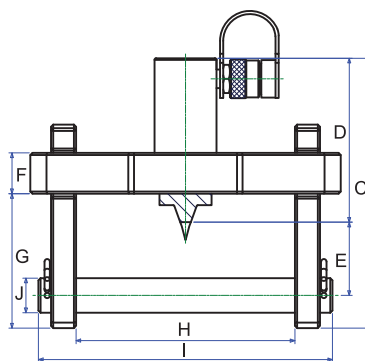
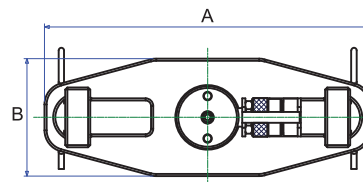


FEATURES

- Suggest to use in sets for an even and higher spreading force.
- The claw widths are adjustable from 104 mm to 216 mm for wide range usage.
- All models are including safety block to remove the spreader and hold the loading.
- PFS10TI has a built-in hydraulic system, therefore the hand pump, hose and gauge are not necessary.

SPECIFICATIONS

Model No.	Package included				
	Hand Pump	1.5M Hose & Coupler	Gauge & Adaptor	Safety Block	Steel Case
PFS10T MIN	--	--	--	V	--
PFS10TBG	V	V	V	V	V
PFS10TBG MAX	V	x 2	x 2	x 2	V
PFS10TI	--	--	--	V	V



SPECIFICATIONS

Model No.	Flange Thickness H (mm)	Stud Size J (mm)	Standard Wedge (mm)	Capacity (Ton)	Stroke (mm)	Oil Capacity (c.c.)	A (mm)	B (mm)	C (mm)	D (mm)	E (mm)	F (mm)	G (mm)	I (mm)	Weight (kg)
PFS10T MIN	104-216	Ø 31.75	3.3 - 28.7	10	51	73	300	108	248	151	67	37.5	123.5	285	15
PFS10TBG	104-216	Ø 31.75	3.3 - 28.7	10	51	73	300	108	248	151	67	37.5	123.5	285	25.2
PHS10TBG MAX	104-216	Ø 31.75	3.3 - 28.7	10 x 2	51	73	300	108	248	151	67	37.5	123.5	285	46.6
PFS10TI	104-216	Ø 31.75	3.3 - 28.7	10	54	73	300	108	442	375	67	37.5	123.5	285	17.5

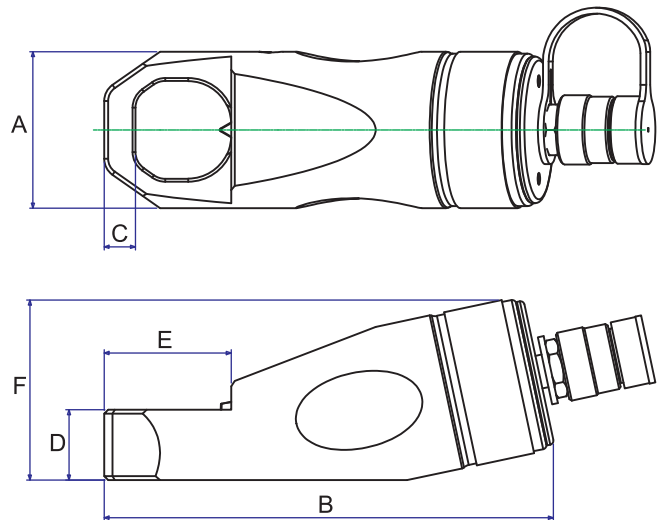
MODEL: HNS SERIES

Capacity: 10 - 50 Tons



FEATURES

- Compact design used in confined space with enough force to split the rusted nuts.
- All models feature a rugged one-piece cutting frame coupled to a heavy-duty hydraulic cylinder.
- Specially designed " tool steel " cutter blade cuts the nut to the precise point where it cracks.
- Unique angled head design to keep full contact with the nut being penetrated.
- Unique angled cutter blade with radius to have the greater resistance to cutting and breaking nuts.
- 5 popular models applicable to cover the most range of nuts.



SPECIFICATIONS

Model No.	Hexagon Nut Range (mm)	Bolt Range (mm)	Capacity (ton)	Oil Capacity (c.c.)	Dimensions(in)						Weight (kg)
					A(mm)	B(mm)	C(mm)	D(mm)	E(mm)	F(mm)	
HNS1924	19-24	M12-M16	10	18	60	171.5	10	25	40	68	2.6
HNS2432	24-32	M16-M22	15	40	70	192	13	30	52	79	3.6
HNS3241	32-41	M22-M27	20	68	80	230	16	36	65	92	5.5
HNS4150	41-50	M27-M33	35	150	100	286	21	45	76	116	11.2
HNS5060	50-60	M33-M39	50	250	117	321	24	54.5	92	134	15.1

Notes: The Hardness of Nut Material must not exceed HRc-44.
Should not be used on stainless steel nuts and/or square shape nuts.

TOE JACKS

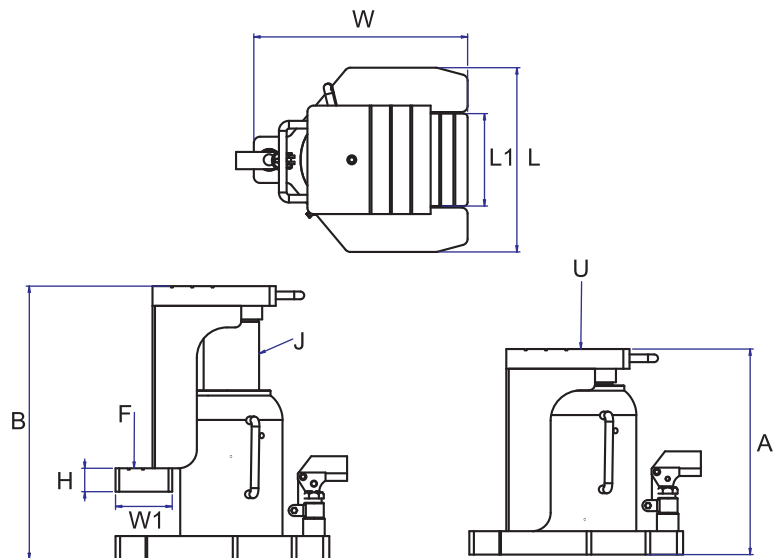
MODEL: TOE SERIES

Capacity: 2.5 - 50 Tons



FEATURES

- Heat treated & chrome plated hydraulic rod provide longer seal life and optimum performance.
- Internal safety valve prevents toe jack from being used beyond its rated capacity.
- Housing welding onto the forged base ensures to be free of leakage problem.
- High strength Toe-Lift for long life use.
- Low toe heights fit in tight clearances.
- Swivel sockets for easy operation.
- Can be operated quickly by hand without a loading.
- Removable handle saves the handle force during operation.
- Max. Working Pressure 700 bar / 10,000 psi



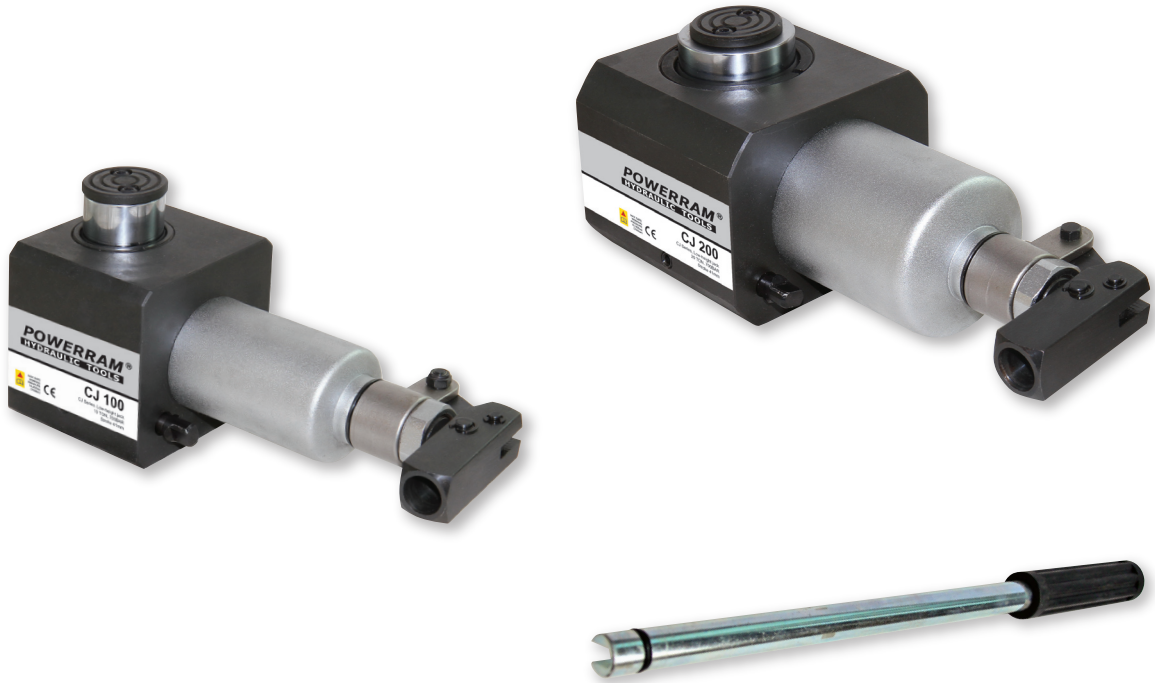
SPECIFICATIONS

MODEL	TOP CAP. U(tons)	TOE-LIFT CAP. F(tons)	STROKE (mm)	MIN. HEIGHT A(mm)	MAX. HEIGHT B(mm)	PISTON ROD DIA. J(mm)	BASE DIMENSIONS LxW(mm)	HEIGHT H(mm)	TOE-LIFT L1xW1(mm)	WEIGHT (Kgs)
TOE-025	2.5	1.2	100	194	294	19	140X190	19	65X50	7.8
TOE-040	4	2	110	204	314	25	150X200	19	65X50	9.0
TOE-060	6	3	110	212	322	36	160X217	19	65X50	11.3
TOE-100	10	5	130	258	388	40	189X242	22	75X55	17
TOE-160	16	8	131	275	406	52	211X256	25	90X55	25.7
TOE-200	20	10	140	303	443	56	228X274	25	100X60	33.1
TOE-300	30	15	147	322	469	70	259X305	32	110X60	52
TOE-500	50	25	148	333	481	90	299X347	38	150X60	84

LOW-HEIGHT JACKS

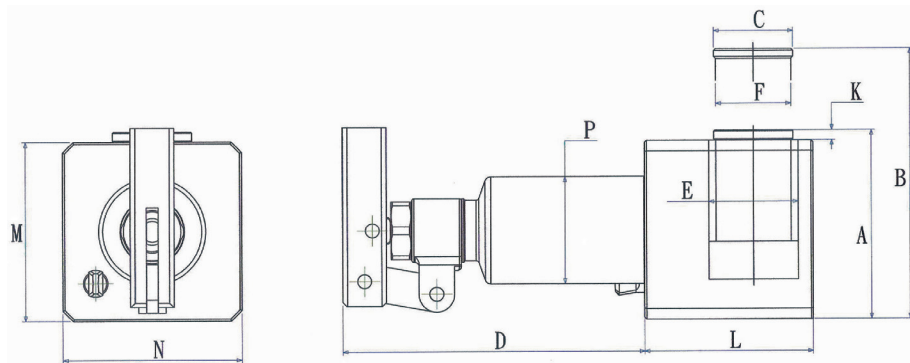
MODEL: CJ SERIES

Capacity: 10 - 20 Tons



FEATURES

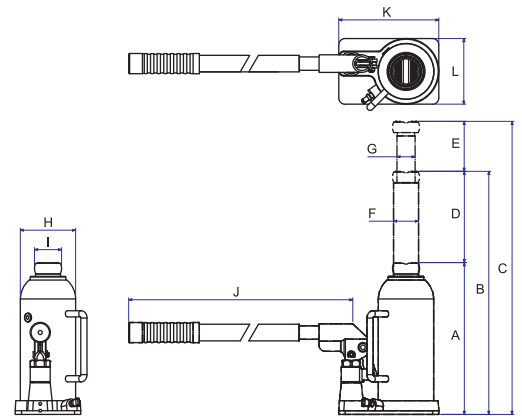
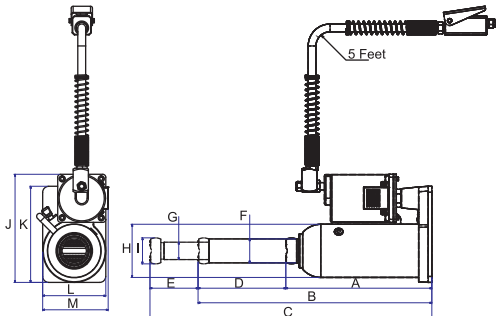
- Integrated pump & spring return cylinders, with low build-in height.
- Max. working pressure: 10,000 psi / 700 bar.
- Hard chromed piston
- Ram inside roll polished
- Perfect for jobs with limited space, for example: positioning machines, mounting tools or load tests.



SPECIFICATIONS

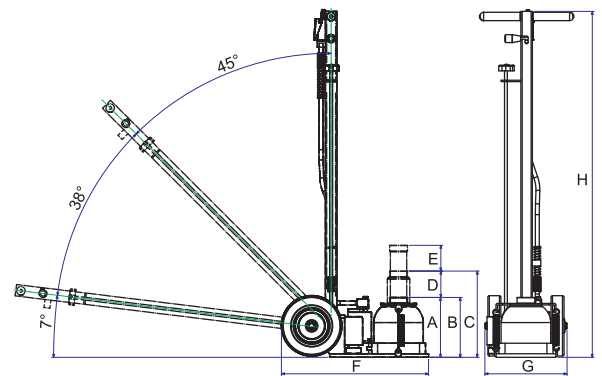
Model No.	Cap. (Ton)	Stroke (mm)	Oil Cap. (cm ³)	Height(mm)		C Ømm	D mm	E Ømm	F Ømm	H mm	K mm	L mm	M mm	N mm	P Ømm	Weight (kg)
				Retracted	Extended											
CJ100	10	40	155	95	135	40	152.5	45	37.95	407.5	4.9	85	90	90	53.8	6.8
CJ200	20	41	250	95	136	40	152.5	65	50.8	407.5	4.9	110	90	110	69.8	9.6

BOTTLE JACKS & AIR / HYDRAULIC JACKS



FEATURES

- Low profile design for most of Industrial applications.
- Forging base as the strongest construction to catch the needs in Industry market.
- Design of housing welding onto the forged base prevent the leakage problem.
- Telescopic design of AJ120, AJ220, BJ120, BJ220, AJB1527 & AJB2035 reaches the extra height during operating to save time and labor cost.
- AJBseries are equipped with two large Dia. rubber wheels provide easy and well mobility works.
- Air/Hydraulic design make you free from pumping handle also with the most efficiency and time saving.



SPECIFICATIONS

Model No.	Capacity (ton)	A (mm)	B (mm)	C (mm)	D (mm)	E (mm)	F (mm)	G (mm)	H (mm)	I (mm)	J (mm)	K (mm)	L (mm)	M (mm)	Handle Length (mm)	Weight (kg)
AJ120	12	243	389	469	146	80	40	29	88.5	43	180	160	105	109	290	10.0
AJ220	22	240	369	449	129	80	56	38	114	54	207	—	130	—	290	15.1
AJ300	30	279	423	—	144	—	65	—	140	—	235	—	150	154	290	26.0
AJ500	50	304	452	—	148	—	75	—	165.5	—	260	—	180	—	290	39.4
BJ120	12	243	389	469	146	80	40	29	88.5	43	507	160	105	—	500	8.8
BJ220	22	240	369	449	129	80	56	38	114	54	507	190	130	—	500	14.0
BJ300	30	279	423	—	144	—	65	—	140	—	507	235	150	—	500	27.0
BJ500	50	304	452	—	148	—	75	—	165.5	—	507	260	180	—	500	36.8
AJB1527	15/27	200	287	374	87	87	490	274	1155	—	—	—	—	—	—	38.5
AJB2035	20/35	200	287	374	87	87	490	274	1155	—	—	—	—	—	—	45.0
AJB300	30	247	345	—	98	—	460	274	1155	—	—	—	—	—	—	43.0
AJB500	50	266	367	—	101	—	490	274	1155	—	—	—	—	—	—	53.5

* All handle length is 630mm.



FEATURES

- Quick "snap together" design for fast and easy assembly and disassembly.
- Extra thick extension tubes design for more strength and bendless.
- Blow molded case for organized component storage and easy to carry. The case for 10 Ton kit has wheels for good mobility.
- Single-speed pump delivers 10,000 psi and with automatic overload system against operator injury.
- Flexible hydraulic hose with spring guards at both ends.
- Dropping forged pump base and rugged welded constructions prevent collision and deformation.
- Components are also made by forging with the best rigidity and strength to ensure never broken during operation with high safety.
- Each components are connected through female connector for easy operation.



PA904A

PA904A

ITEM	PARTS NO.	DESCRIPTION
01	PA350	Hydraulic Pump
02	HS236	Hose 6 feet
03	RA404	4 Ton Ram, 4" Stroke, 1/4NPT
04	SR05A	1/2 Ton spreader ram
05	B0523	16" Extension tube
06	B0524	12" Extension tube
07	B0525	8" Extension tube
08	B0526	4" Extension tube
09	B0467	Male connector
10	F0180	Flat base
11	F0181	90° "V" base
12	F0182	Wedge head
13	F0183	Spreader Plunger Toe
14	F0184	Spreader Ram Toe
15	B0013	Flex head
16	F0179	Serrated saddle
17	G0026	Blow molded case

N.W. 18.6KG G.W. 19.6KG CUFT. 1.4'

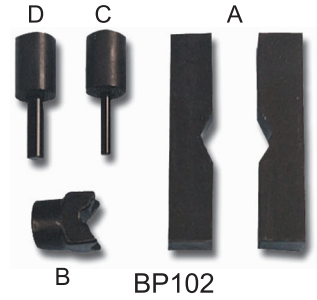
PA910A

ITEM	PARTS NO.	DESCRIPTION
01	PA600	Hydraulic Pump
02	HS336	Hose 6 feet
03	RA106L	10 Ton Ram, 6" Stroke, 3/8NPT
04	SR05E	1/2 Ton spreader ram
05	B0519	19" Extension tube
06	B0520	14" Extension tube
07	B0521	10" Extension tube
08	B0522	5" Extension tube
09	B0406	Male connector
10	F0174	Flat base
11	F0175	90° "V" base
12	F0176	Wedge head
13	F0177	Spreader Plunger Toe
14	F0178	Spreader Ram Toe
15	B0083	Flex head
16	F0173	Serrated saddle
17	G0021	Blow molded case with wheels

N.W. 36.5KG G.W. 37.5KG CUFT. 2.6'

MODEL: SP1301 / SP1401

Capacity: 10 Tons

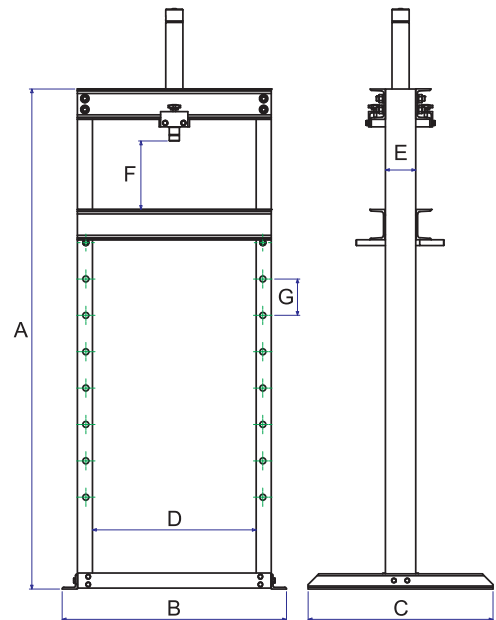


FEATURES

- Rugged steel frame provides maximum firmness to prevent bending.
- Multiple working position for press bed.
- Steel cross support prevent the frame from bending while loading.
- Single-acting and spring return cylinders with 10" stroke is horizontal movement on head channel.
- Available in 10 Tons models, with optional manual or air-hydraulic pump.

Accessory Set

	A	B	C	D	
Part No. / Item	Long V-block	V base	Ram pushing adapter	Ram pushing adapter	Weight (kgs)
BP102	E0650	E0175	B0547 (1/2" shank)	B0548 (3/4" shank)	9.5



SPECIFICATIONS

Model No.	Capacity (ton)	Stroke (mm)	Pump Model	A (mm)	B (mm)	C (mm)	D (mm)	E (mm)	F (mm)	G (mm)	Weight (kgs)
SP1301	10	254	HB700	1650	740	610	540	100	255-1065	120	87
SP1401	10	254	PTS900A	1650	740	610	540	100	255-1065	120	90

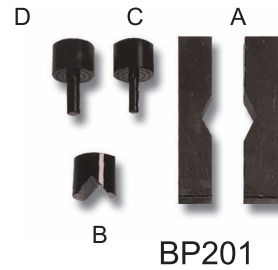
SHOP PRESSES

MODEL: SP2101 / SP2201 / SP3201

Capacity: 20 -30 Tons



SP2201

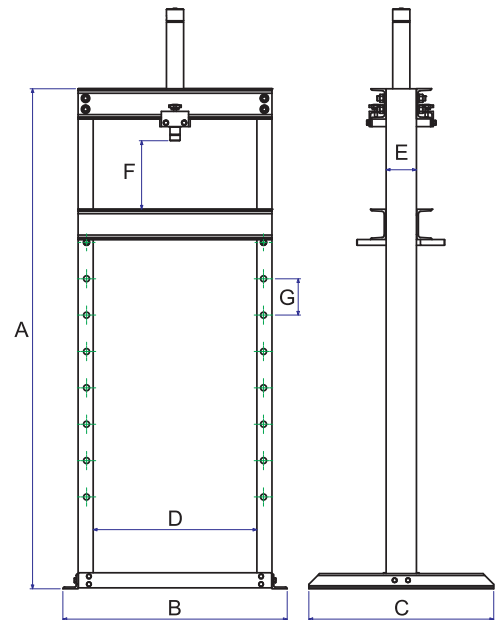


FEATURES

- Rugged steel frame provides maximum firmness to prevent bending.
- Multiple working position for press bed.
- Steel cross support prevent the frame from bending while loading.
- Single-acting and spring return cylinders with 5" & 8" stroke is horizontal movement on head channel.

Accessory Set

	A	B	C	D	
Part No. / Item	Long V-block	V base	Ram pushing adapter	Ram pushing adapter	Weight (kgs)
BP201	E0662	E0064	B0562 (3/4" shank)	B0563 (1" shank)	17.0



SPECIFICATIONS

Model No.	Capacity (ton)	Stroke (mm)	Pump Model	A (mm)	B (mm)	C (mm)	D (mm)	E (mm)	F (mm)	G (mm)	Weight (kgs)
SP2101	20	128	HB700	1650	790	700	510	125	233-1072	120	183
SP2201	20	128	PTS900A	1650	790	700	510	125	233-1072	120	186
SP3101	30	204	HC1500	1631	920	700	620	150	306-1025	120	244
SP3201	30	204	PTS900A	1631	920	700	620	150	306-1025	120	249

MODEL: HSP50T / HSP100T

Capacity: 50-100 Tons



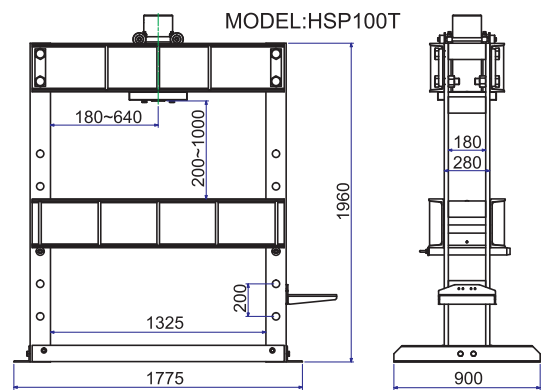
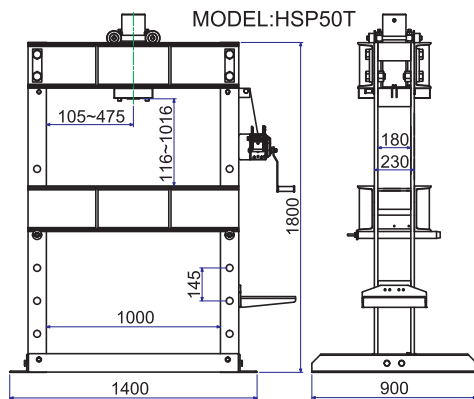
HSP50T



HSP100T

FEATURES

- Ideal for the pressing job in the workshops.
- Rugged steel frame provide maximum rigidity and never bended.
- Multiple working positions for press bed.
- Steel cross brace prevents the frame from spreading under the load.
- 100 Ton, Single Acting, 13" Stroke Cylinder is available for requesting.
- 100 Ton, Double Acting, 18" Stroke Cylinder is available for requesting.
- 50 Ton shop presses: Hand Pump, Air Pump & Electric Pump are available upon request.
- 100 Ton shop presses: Electric Pump is available as the optional version.



Specifications for reference:

Model No.	Capacity (ton)	Stroke (mm)	Pump Type	Max. Pressure Output (psi)	Reservoir Capacity (c.c.)	Motor	Weight (kg)	Accessory Set *
HSP5013H	50	330	HP80	10,000	7,000	-	440	* Long V-Blocks
HSP5013S	50	330	EP18S	10,000	8,000	0.45kW / 220V 50/60 Hz Single Phase	480	* V-Base
HSP5018D	50	457	EP18D	10,000	8,000	0.45kW / 220V 50/60 Hz Single Phase	480	* Ram pushing adaptor
HSP10013S	100	330	EP211S	10,000	11,000	1.12kW 220V 50/60 Hz, Single Phase	840	* Long V-Blocks
HSP10018D	100	457	EP211D	10,000	11,000	1.12kW 220V 50/60 Hz, Single Phase	840	* V-Base

*The above accessory sets will be changed according to the Selected Cylinder.